

Receiver

From

Society
Reference
Address
Phone
Fax
E-mail

Item n° :

60179457

Model :

E.SYBOX MINI 3

Pump data

Pressure rating : 7,5 bar (750 kPa)
SETTABLE CONSTANT PRESSURE FROM 1 TO 5,5 bar
Min. fluid temperature : 0 °C
Max. fluid temperature : 40 °C
Max. Ambient temperature : 50 °C

Requested data

Flow :
Head :
Fluid : Water
Fluid Temperature : 20 °C
Density : 998,3 kg/m³
Kinematic viscosity : 1,005 mm²/s
Vapor pressure : 2,34 kPa

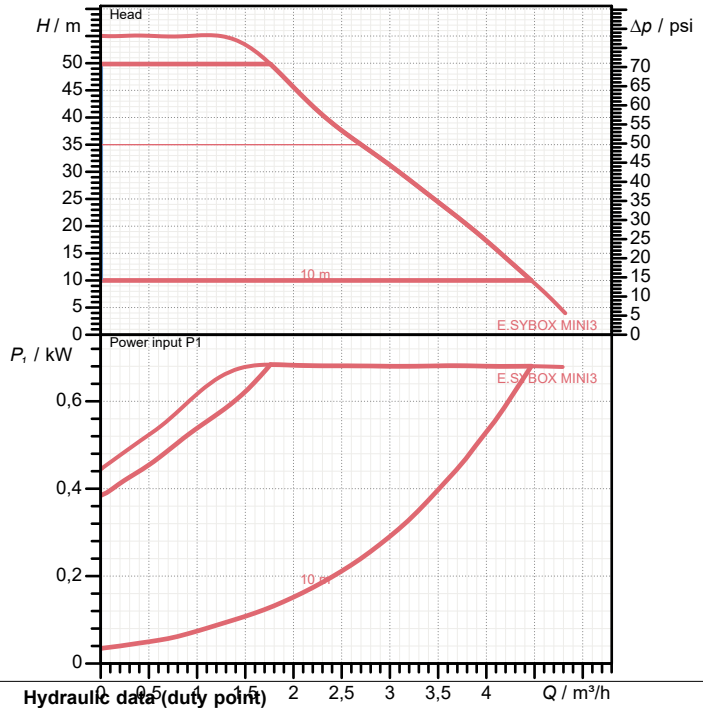
Materials

Motor liner	Stainless Steel AISI 304
OR ring	NBR
Mechanical seal	Impregnated carbon-resin/Ceramic/NBR
Plugs	PA 6.6 30% FV / PP OMO 30% GF
Suction body	PP OMO 30% GF
Insert	Brass
Spring	AISI 303
Diffuser	Noryl
Impeller	Noryl
Discharge section	PP OMO 30% GF
Non-return valve	Technopolymer/Rubber/Steel
Tank	Technopolymer/Rubber
Pressure sensor body	Technopolymer
MOTOR BODY	PP OMO 30% GF
Seal disk	PA 6.6 30% GF
Selfpriming shutter	POM
Heat sink	Brass
Flowmeter wheel	POM

Motor data

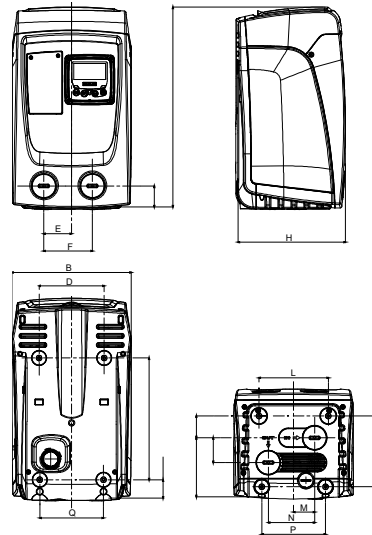
Power input P1 : 0,85 kW
Rated speed : 3.000 1/min
Rated voltage : 1~ 220-240 V 50 Hz
Nominal current : 4,8 A
Degree of protection : IP X4

Curve tolerance according to ISO 9906



Hydraulic data (duty point)

Flow :
Head :



Dimensions in mm

A	439	G	279,5	P	140
B	263	H	236	Q	140
C	46	I	40,5	R	155,5
D	143	L	152	S	47,8
E	60,7	M	46	T	133
F	106,7	N	101,7	V	54,5

Weight : 14,6 kg

Pump connection

Suction side : 1" G / 7,5 bar (750 kPa)
Discharge side : 1" G / 7,5 bar (750 kPa)



PERFORMANCE CURVES

2021-11-02

Page 2 / 3

DAB PUMPS S.p.A.
Via Marco Polo, 14 - 35035 Mestrino (PD), Italy
Tel. +39 049 5125000 - Fax +39 049 5125950
www.dabpumps.com

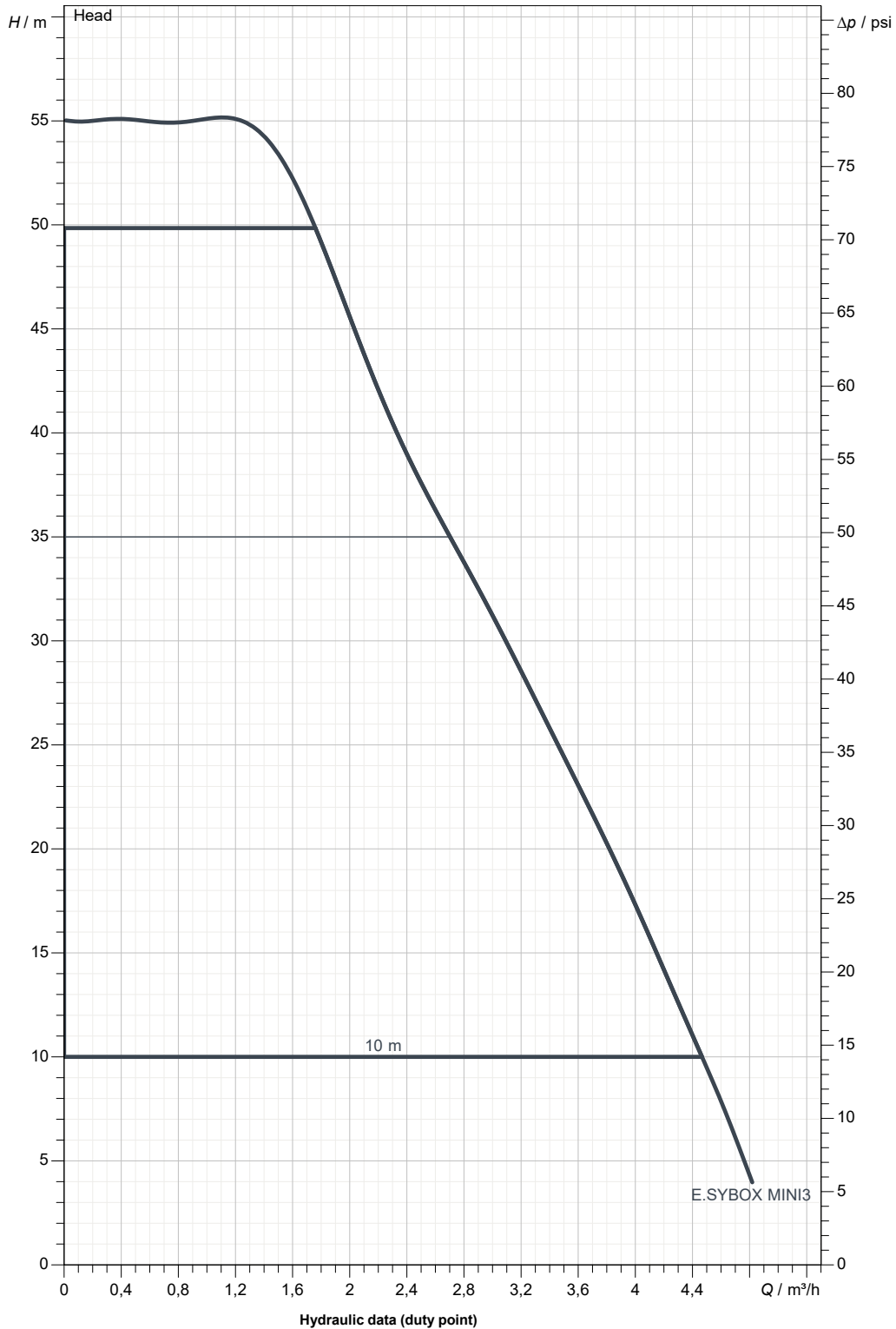
Receiver

From

Society
Reference
Address
Phone
Fax
E-mail

E.SYBOX MINI 3

Curve tolerance according to ISO 9906



Suction side :
1" G
7,5 bar (750 kPa)

Discharge side :
1" G
7,5 bar (750 kPa)

Flow :

Head :

Rated speed :
3.000 1/min

MAIN_PROJECT_TITLE

BUSINESS_PROCESS_ID

OWNER_

ISSUE_DATE



DIMENSIONAL DRAWING

DAB PUMPS S.p.A.
Via Marco Polo, 14 - 35035 Mestrino (PD), Italy
Tel. +39 049 5125000 - Fax +39 049 5125950
www.dabpumps.com

2021-11-02

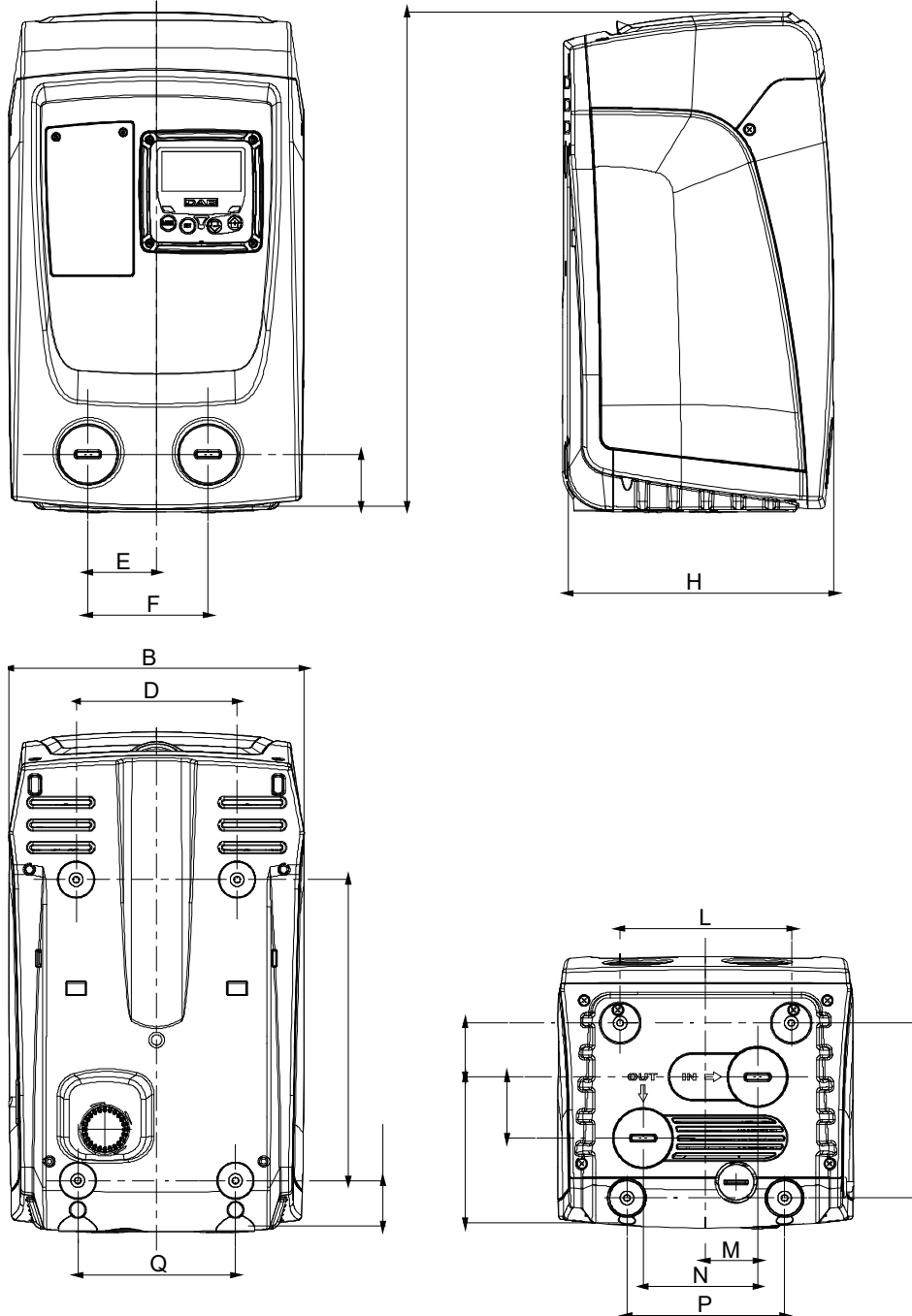
Page 3 / 3

Receiver

From

Society
Reference
Address
Phone
Fax
E-mail

E.SYBOX MINI 3



Dimensions in mm

Pump connection

1	A	439	P	140		
2	B	263	Q	140		
3	C	46	R	155,5		Suction
4	D	143	S	47,8		1" G
5	E	60,7	T	133		7,5 bar (750 kPa)
6	F	106,7	V	54,5		
7	G	279,5				Discharge
8	H	236				1" G
9	I	40,5				7,5 bar (750 kPa)
10	L	152				
11	M	46				
12	N	101,7				

MAIN_PROJECT_TITLE

BUSINESS_PROCESS_ID

OWNER

ISSUE_DATE