

### Receiver

### From

Society  
Reference  
Address  
Phone  
Fax  
E-mail

#### Item n° :

60179893

Model :

CP 50/4100 T IE3

#### Pump data

MEI ≥

Pressure rating : PN 16  
Min. fluid temperature : -10 °C  
Max. fluid temperature : 130 °C  
Max. Ambient temperature : 40 °C

#### Requested data

Flow :  
Head :  
Fluid (%) :  
Fluid Temperature : 20 °C  
Density : 998,3 kg/m³  
Kinematic viscosity : 1,005 mm²/s  
Vapor pressure : 2,34 kPa

#### Hydraulic data (duty point)

Flow :  
Head :  
NPSH :  
Shaft power P2 :  
Efficiency :

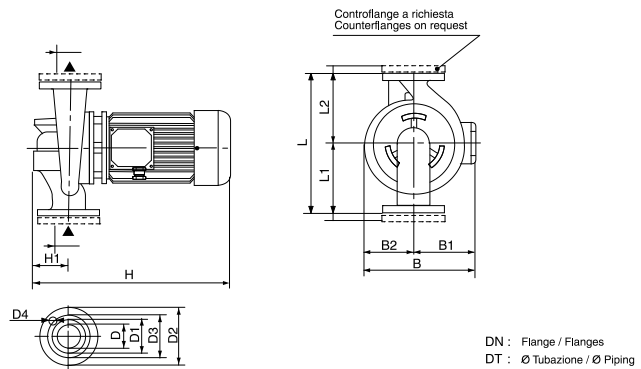
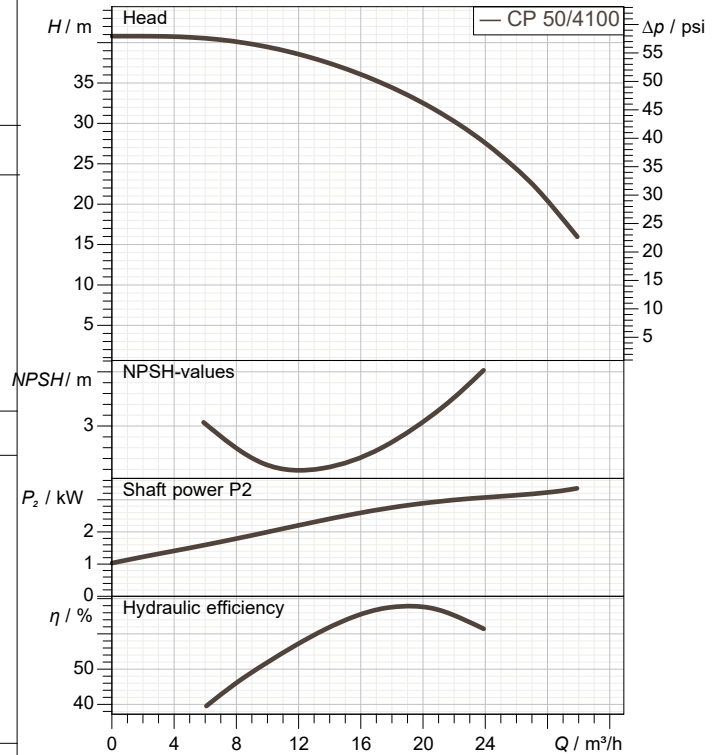
#### Materials

Pump body Cast iron 250 UNI ISO 185  
Support Cast iron 250 UNI ISO 185  
Impeller Technopolymer B  
Mechanical seal Carbon/Graphite  
OR ring EPDM Rubber  
Shaft with rotor AISI 304 X5 Cr Ni 1810 UNI 6900/71

#### Motor data

Nominal power P2 : 4 kW  
Rated speed : 2.916 1/min  
Rated voltage : 3~ 230 V 50 Hz  
Nominal current : 11,6 A  
Degree of protection : IP 55

#### Curve tolerance according to ISO 9906



Weight : 54 kg

#### Dimensions in mm

B	233	H	537
B1	120	H1	105
B2	113	L	425
D	50 PN16	L1	225
D1	102	L2	200
D2	165		
D3	125		
D4	4 x Ø18		

#### Pump connection

Suction side : DN 50 / PN 16  
Discharge side : DN 50 / PN 16



# PERFORMANCE CURVES

2021-09-30

Page 2 / 3

DAB PUMPS S.p.A.  
Via Marco Polo, 14 - 35035 Mestrino (PD), Italy  
Tel. +39 049 5125000 - Fax +39 049 5125950  
www.dabpumps.com

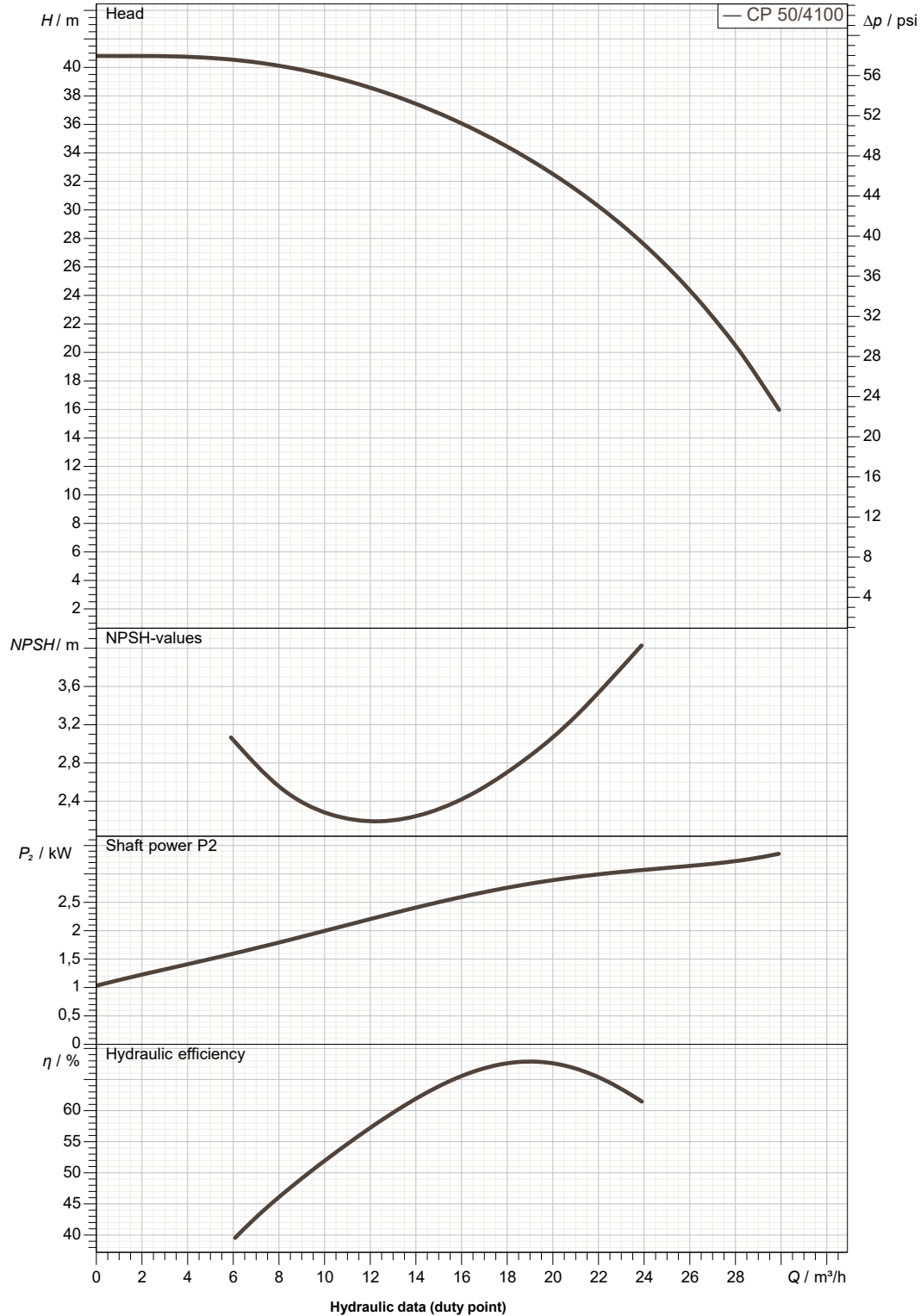
Receiver

From

Society  
Reference  
Address  
Phone  
Fax  
E-mail

## CP 50/4100 T IE3

Curve tolerance according to ISO 9906



Suction side :  
DN 50  
PN 16

Discharge side :  
DN 50  
PN 16

Flow :

Head :

Rated speed :  
2.916 1/min

MAIN\_PROJECT\_TITLE

BUSINESS\_PROCESS\_ID

OWNER\_

ISSUE\_DATE  
2021-09-30



# DIMENSIONAL DRAWING

DAB PUMPS S.p.A.  
Via Marco Polo, 14 - 35035 Mestrino (PD), Italy  
Tel. +39 049 5125000 - Fax +39 049 5125950  
www.dabpumps.com

2021-09-30

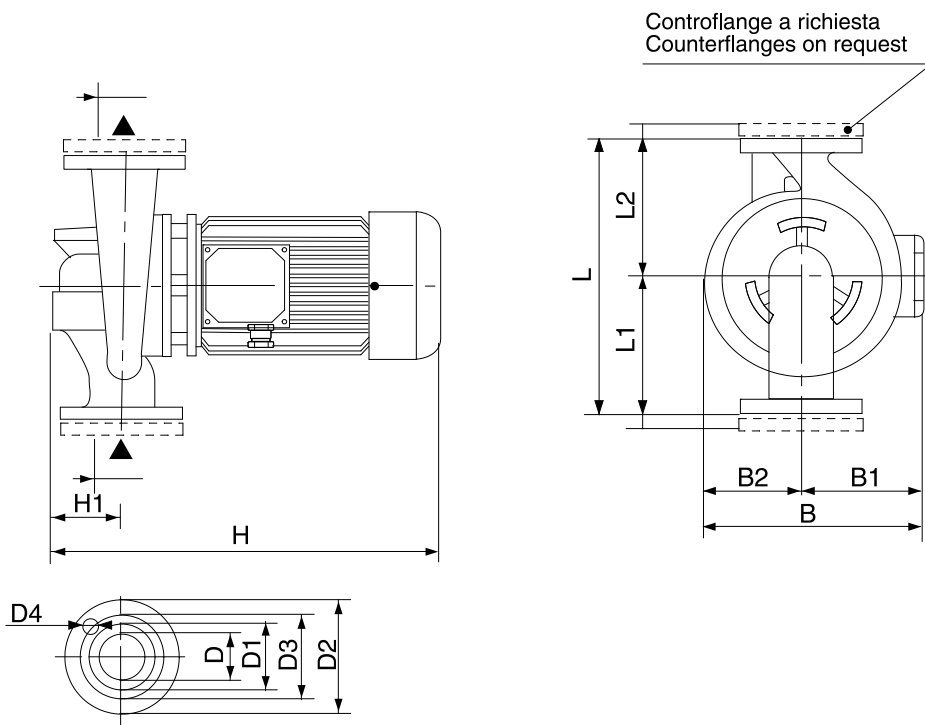
Page 3 / 3

Receiver

From

Society  
Reference  
Address  
Phone  
Fax  
E-mail

## CP 50/4100 T IE3



Dimensions in mm						Pump connection
1	B	233	L2	200		Suction DN 50 PN 16
2	B1	120				
3	B2	113				
4	D	50 PN16				Discharge DN 50 PN 16
5	D1	102				
6	D2	165				
7	D3	125				
8	D4	4 x Ø18				
9	H	537				
10	H1	105				
11	L	425				
12	L1	225				

MAIN_PROJECT_TITLE	BUSINESS_PROCESS_ID	OWNER	ISSUE_DATE 2021-09-30
--------------------	---------------------	-------	--------------------------