

Receiver

From

Society
Reference
Address
Phone
Fax
E-mail

Item n° :

60179891

Model :

CP 50/3100 T IE3

Pump data

MEI ≥

Pressure rating : PN 16
Min. fluid temperature : -10 °C
Max. fluid temperature : 130 °C
Max. Ambient temperature : 40 °C

Requested data

Flow :
Head :
Fluid (%) :
Fluid Temperature : 20 °C
Density : 998,3 kg/m³
Kinematic viscosity : 1,005 mm²/s
Vapor pressure : 2,34 kPa

Hydraulic data (duty point)

Flow :
Head :
NPSH :
Shaft power P2 :
Efficiency :

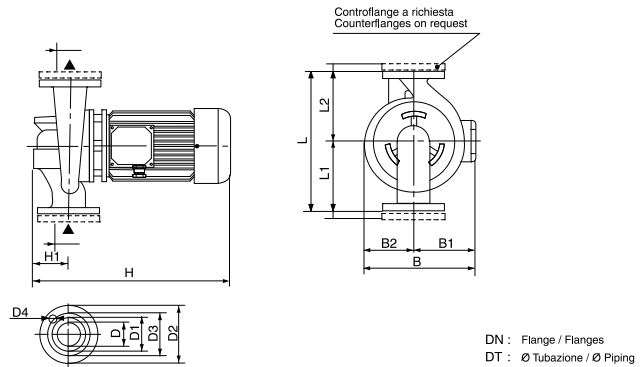
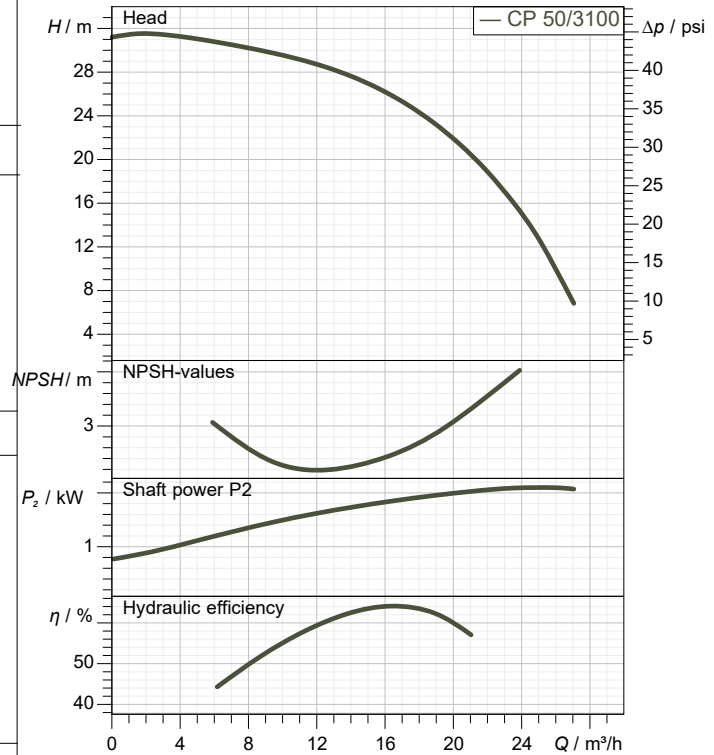
Materials

Pump body : Cast iron 250 UNI ISO 185
Support : Cast iron 250 UNI ISO 185
Impeller : Technopolymer B
Mechanical seal : Carbon/Graphite
OR ring : EPDM Rubber
Shaft with rotor : AISI 304 X5 Cr Ni 1810 UNI 6900/71

Motor data

Nominal power P2 : 2,2 kW
Rated speed : 2.897 1/min
Rated voltage : 3~ 230 V 50 Hz
Nominal current : 8,7 A
Degree of protection : IP 55

Curve tolerance according to ISO 9906



Weight : 46 kg

Dimensions in mm

| | | | |
|----|---------|----|-----|
| B | 233 | H | 537 |
| B1 | 120 | H1 | 105 |
| B2 | 113 | L | 425 |
| D | 50 PN16 | L1 | 225 |
| D1 | 102 | L2 | 200 |
| D2 | 165 | | |
| D3 | 125 | | |
| D4 | 4 x Ø18 | | |

Pump connection

Suction side : DN 50 / PN 16
Discharge side : DN 50 / PN 16



PERFORMANCE CURVES

2021-09-30

Page 2 / 3

DAB PUMPS S.p.A.
Via Marco Polo, 14 - 35035 Mestrino (PD), Italy
Tel. +39 049 5125000 - Fax +39 049 5125950
www.dabpumps.com

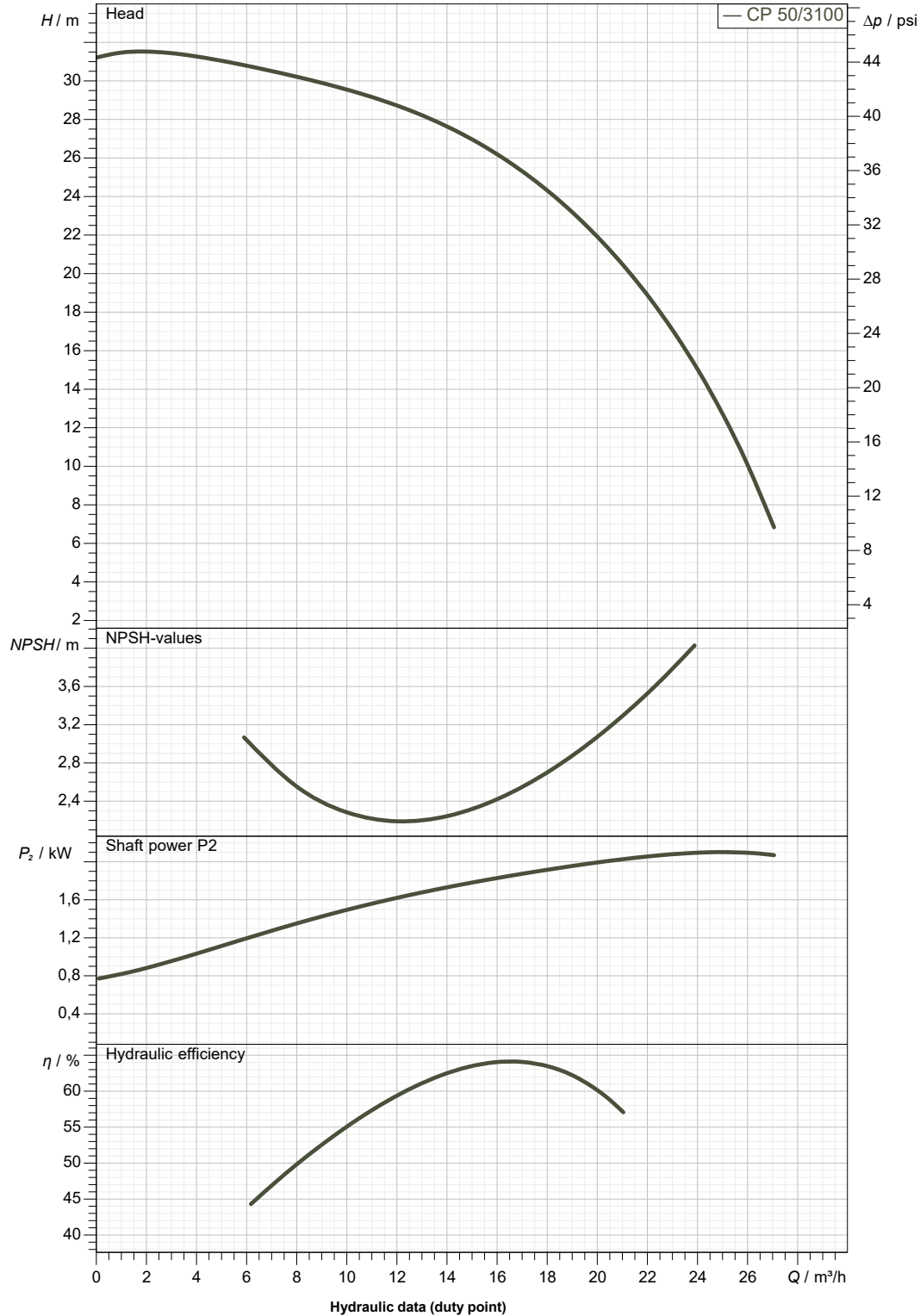
Receiver

From

Society
Reference
Address
Phone
Fax
E-mail

CP 50/3100 T IE3

Curve tolerance according to ISO 9906



Suction side :
DN 50
PN 16

Discharge side :
DN 50
PN 16

Flow :

Head :

Rated speed :
2.897 1/min

MAIN_PROJECT_TITLE

BUSINESS_PROCESS_ID

OWNER_

ISSUE_DATE
2021-09-30

