

Receiver
From

 Society
 Reference
 Address
 Phone
 Fax
 E-mail

Item n° :

60179892

Model :

CP 50/2600 T IE3

Pump data

MEI ≥

 Pressure rating : PN 16
 Min. fluid temperature : -10 °C
 Max. fluid temperature : 130 °C
 Max. Ambient temperature : 40 °C

Requested data

 Flow :
 Head :
 Fluid (%) :
 Fluid Temperature : 20 °C
 Density : 998,3 kg/m³
 Kinematic viscosity : 1,005 mm²/s
 Vapor pressure : 2,34 kPa

Hydraulic data (duty point)

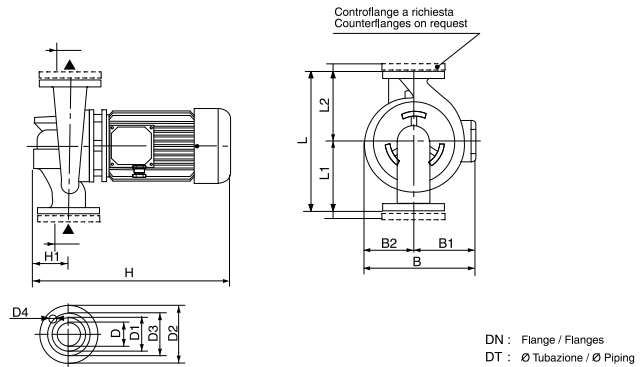
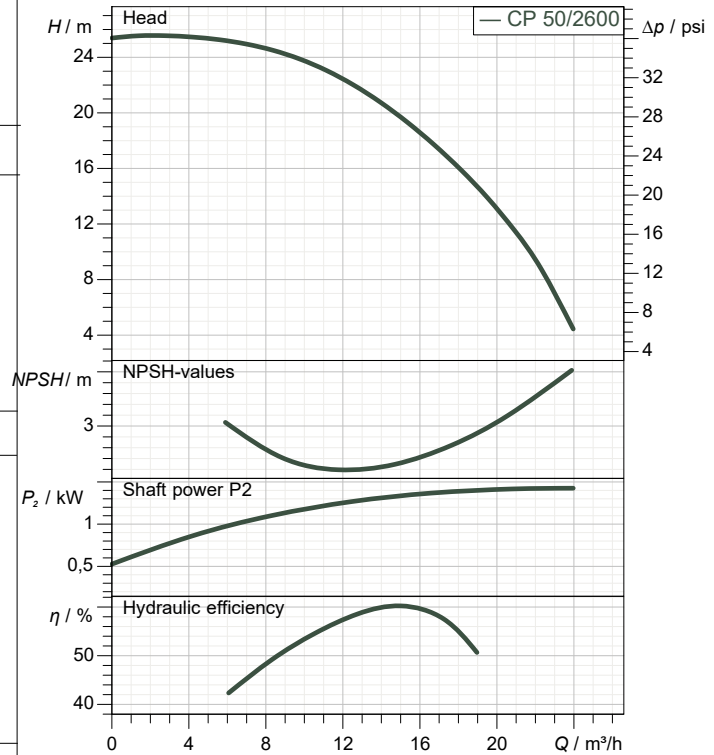
 Flow :
 Head :
 NPSH :
 Shaft power P2 :
 Efficiency :

Materials

 Pump body Cast iron 250 UNI ISO 185
 Support Cast iron 250 UNI ISO 185
 Impeller Technopolymer B
 Mechanical seal Carbon/Graphite
 OR ring EPDM Rubber
 Shaft with rotor AISI 304 X5 Cr Ni 1810 UNI 6900/71

Motor data

 Nominal power P2 : 1,5 kW
 Rated speed : 2.894 1/min
 Rated voltage : 3~ 230 V 50 Hz
 Nominal current : 6,9 A
 Degree of protection : IP 55

Curve tolerance according to ISO 9906

Weight : 41 kg

Dimensions in mm

B	233	H	463
B1	120	H1	105
B2	113	L	425
D	50 PN16	L1	225
D1	102	L2	200
D2	165		
D3	125		
D4	4 x Ø18		

Pump connection

 Suction side : DN 50 / PN 16
 Discharge side : DN 50 / PN 16



PERFORMANCE CURVES

2021-09-30

Page 2 / 3

DAB PUMPS S.p.A.
Via Marco Polo, 14 - 35035 Mestrino (PD), Italy
Tel. +39 049 5125000 - Fax +39 049 5125950
www.dabpumps.com

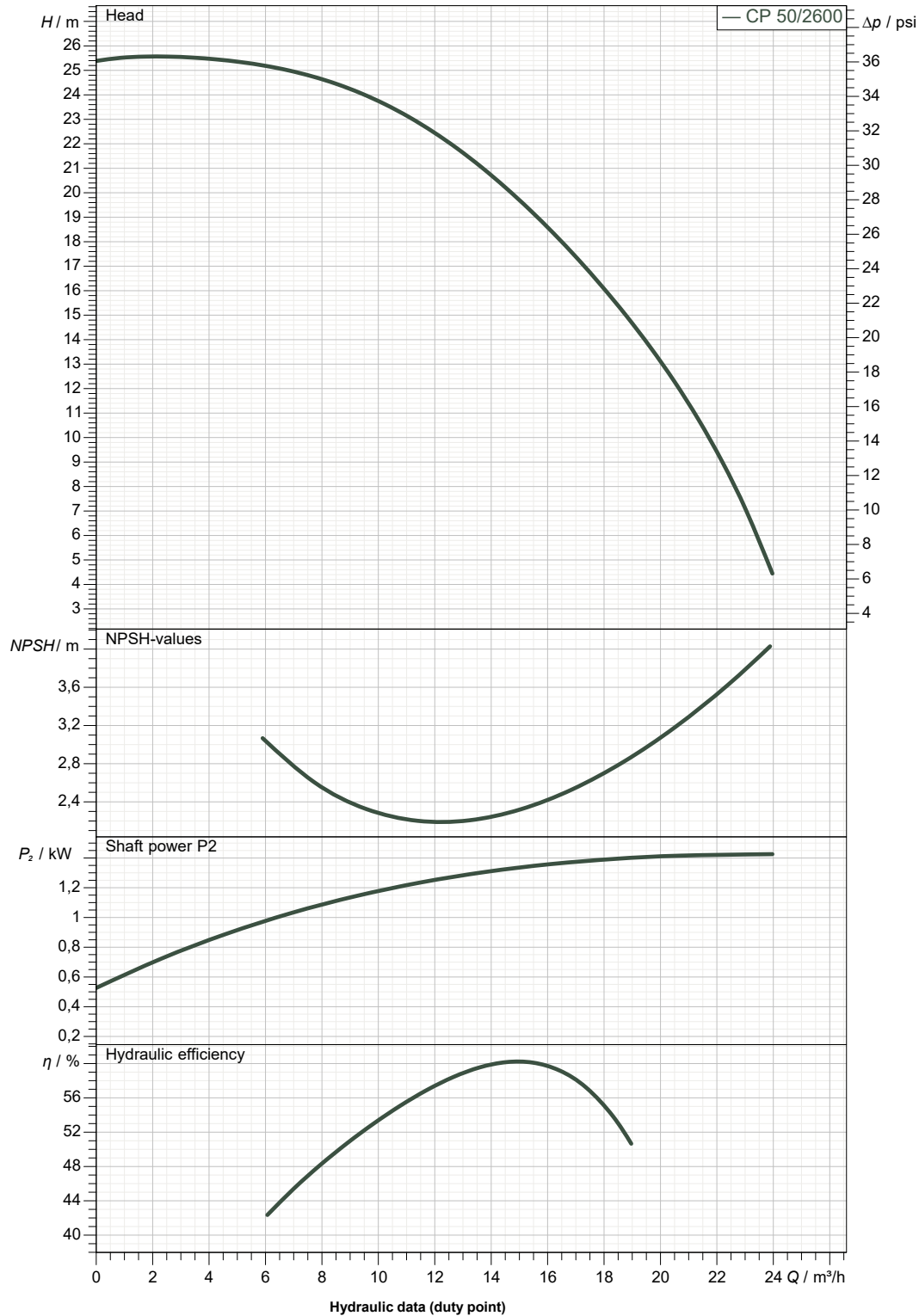
Receiver

From

Society
Reference
Address
Phone
Fax
E-mail

CP 50/2600 T IE3

Curve tolerance according to ISO 9906



Suction side :
DN 50
PN 16

Discharge side :
DN 50
PN 16

Flow :

Head :

Rated speed :
2.894 1/min

MAIN_PROJECT_TITLE

BUSINESS_PROCESS_IE

OWNER_

ISSUE_DATE

2021-09-30



DIMENSIONAL DRAWING

2021-09-30

Page 3 / 3

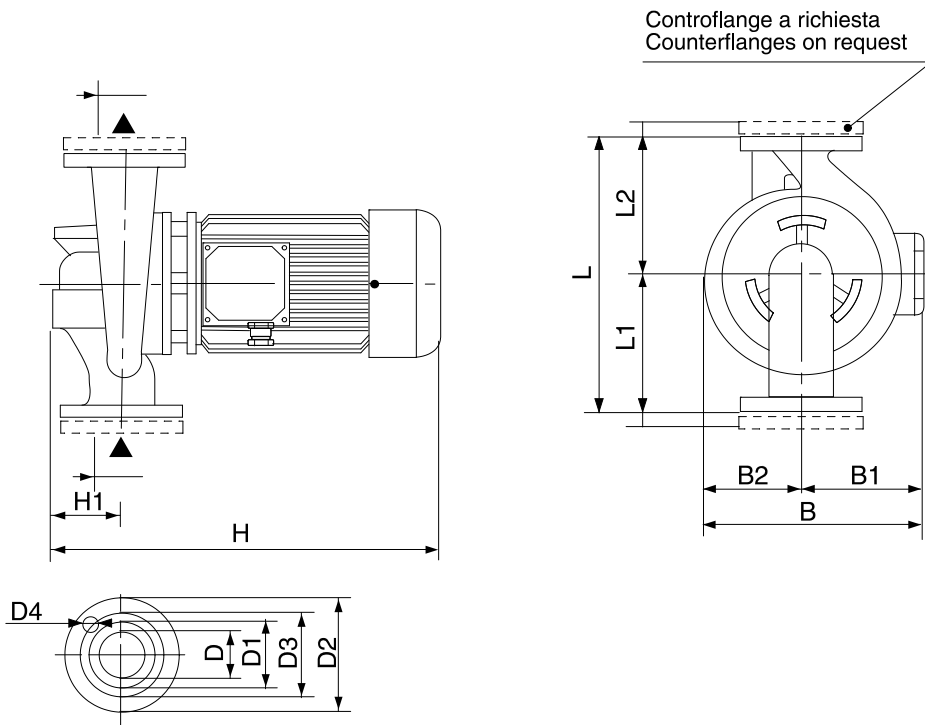
DAB PUMPS S.p.A.
Via Marco Polo, 14 - 35035 Mestrino (PD), Italy
Tel. +39 049 5125000 - Fax +39 049 5125950
www.dabpumps.com

Receiver

From

Society
Reference
Address
Phone
Fax
E-mail

CP 50/2600 T IE3



DN : Flange / Flanges

DT : Ø Tubazione / Ø Piping

Dimensions in mm

Pump connection

1	B	233	L2	200			
2	B1	120					Suction
3	B2	113					DN 50
4	D	50 PN16					PN 16
5	D1	102					
6	D2	165					
7	D3	125					Discharge
8	D4	4 x Ø18					DN 50
9	H	463					PN 16
10	H1	105					
11	L	425					
12	L1	225					

MAIN_PROJECT_TITLE

BUSINESS_PROCESS_ID

OWNER

ISSUE_DATE

2021-09-30