

**Receiver**
**From**

 Society  
 Reference  
 Address  
 Phone  
 Fax  
 E-mail

**Item n° :**

60179897

Model :

CP 50/2200 T IE3

**Pump data**

MEI ≥

 Pressure rating : PN 16  
 Min. fluid temperature : -10 °C  
 Max. fluid temperature : 130 °C  
 Max. Ambient temperature : 40 °C

**Requested data**

 Flow :  
 Head :  
 Fluid (%) :  
 Fluid Temperature : 20 °C  
 Density : 998,3 kg/m³  
 Kinematic viscosity : 1,005 mm²/s  
 Vapor pressure : 2,34 kPa

**Hydraulic data (duty point)**

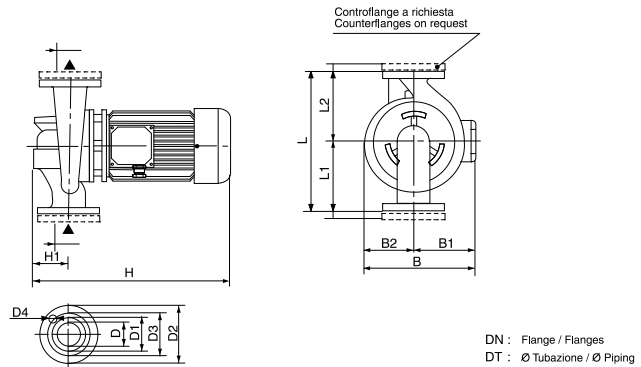
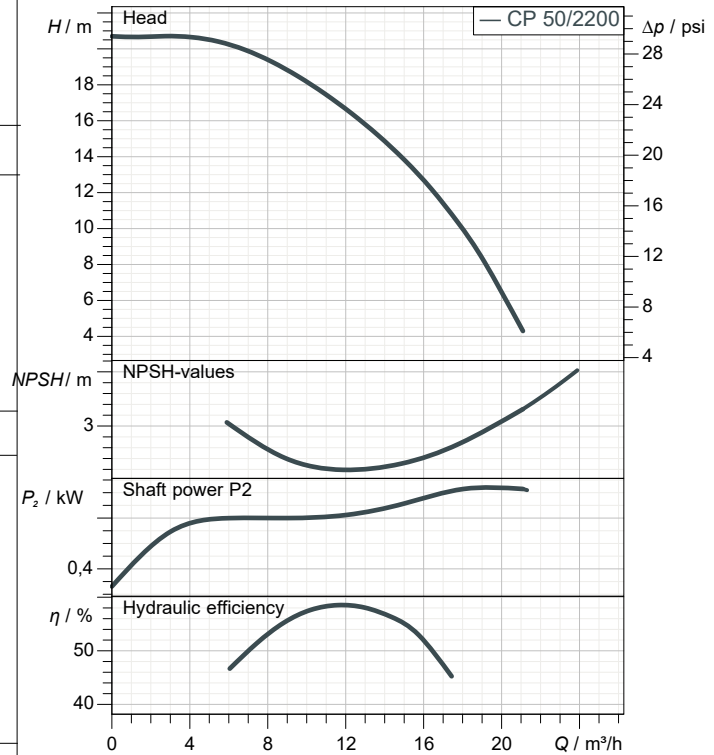
 Flow :  
 Head :  
 NPSH :  
 Shaft power P2 :  
 Efficiency :

**Materials**

 Pump body Cast iron 250 UNI ISO 185  
 Support Cast iron 250 UNI ISO 185  
 Impeller Technopolymer B  
 Mechanical seal Carbon/Graphite  
 OR ring EPDM Rubber  
 Shaft with rotor AISI 304 X5 Cr Ni 1810 UNI 6900/71

**Motor data**

 Nominal power P2 : 1,1 kW  
 Rated speed : 2.906 1/min  
 Rated voltage : 3~ 230 V 50 Hz  
 Nominal current : 5,8 A  
 Degree of protection : IP 55

**Curve tolerance according to ISO 9906**

**Weight :** 40 kg

**Dimensions in mm**

B	233	H	463
B1	120	H1	105
B2	113	L	425
D	50 PN16	L1	225
D1	102	L2	200
D2	165		
D3	125		
D4	4 x $\varnothing$ 18		

**Pump connection**

 Suction side : DN 50 / PN 16  
 Discharge side : DN 50 / PN 16



# PERFORMANCE CURVES

2021-09-30

Page 2 / 3

DAB PUMPS S.p.A.  
Via Marco Polo, 14 - 35035 Mestrino (PD), Italy  
Tel. +39 049 5125000 - Fax +39 049 5125950  
www.dabpumps.com

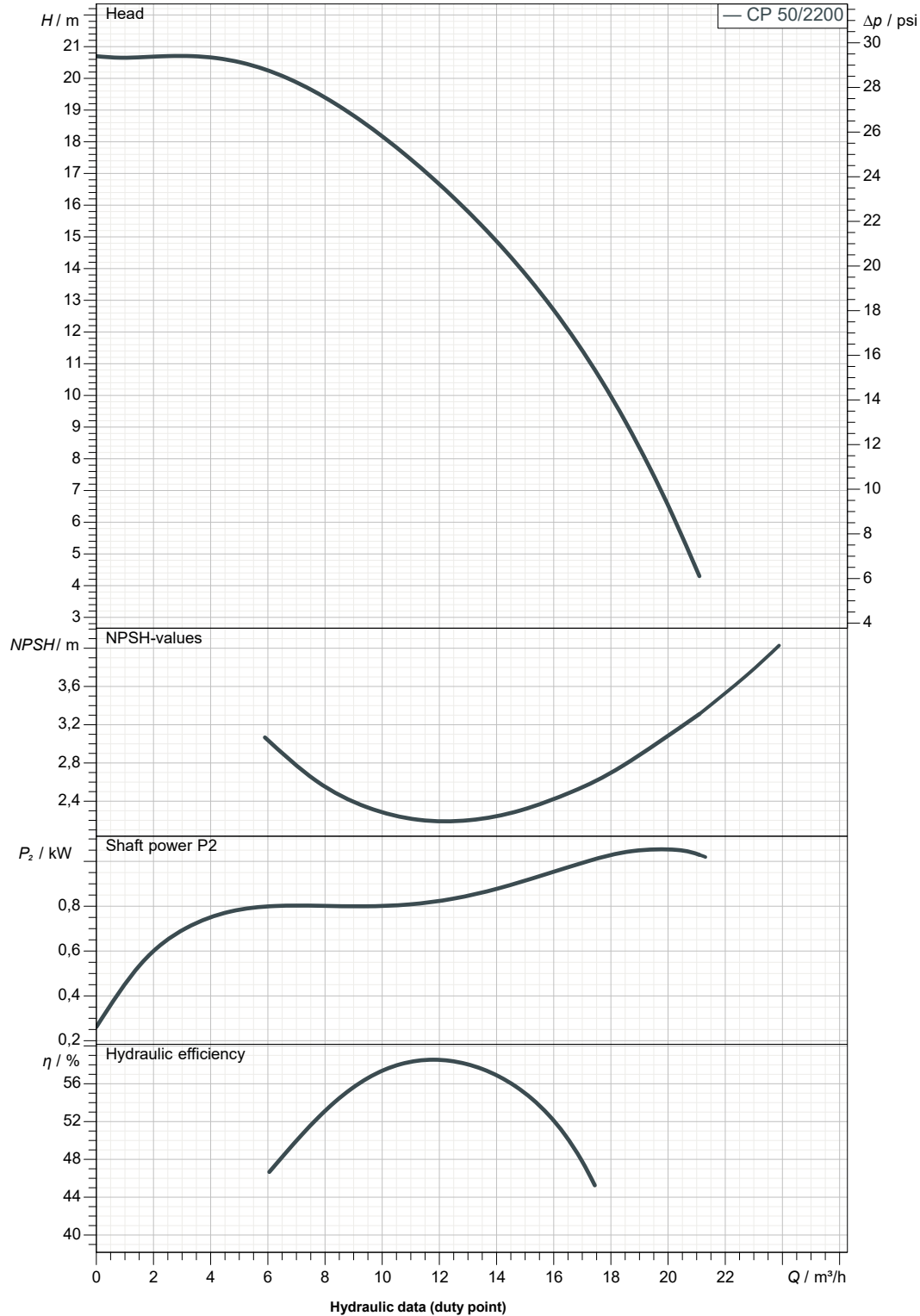
Receiver

From

Society  
Reference  
Address  
Phone  
Fax  
E-mail

## CP 50/2200 T IE3

Curve tolerance according to ISO 9906



Suction side :  
DN 50  
PN 16

Discharge side :  
DN 50  
PN 16

Flow :

Head :

Rated speed :  
2.906 1/min

MAIN\_PROJECT\_TITLE

BUSINESS\_PROCESS\_ID

OWNER\_

ISSUE\_DATE

2021-09-30



# DIMENSIONAL DRAWING

DAB PUMPS S.p.A.  
Via Marco Polo, 14 - 35035 Mestrino (PD), Italy  
Tel. +39 049 5125000 - Fax +39 049 5125950  
www.dabpumps.com

2021-09-30

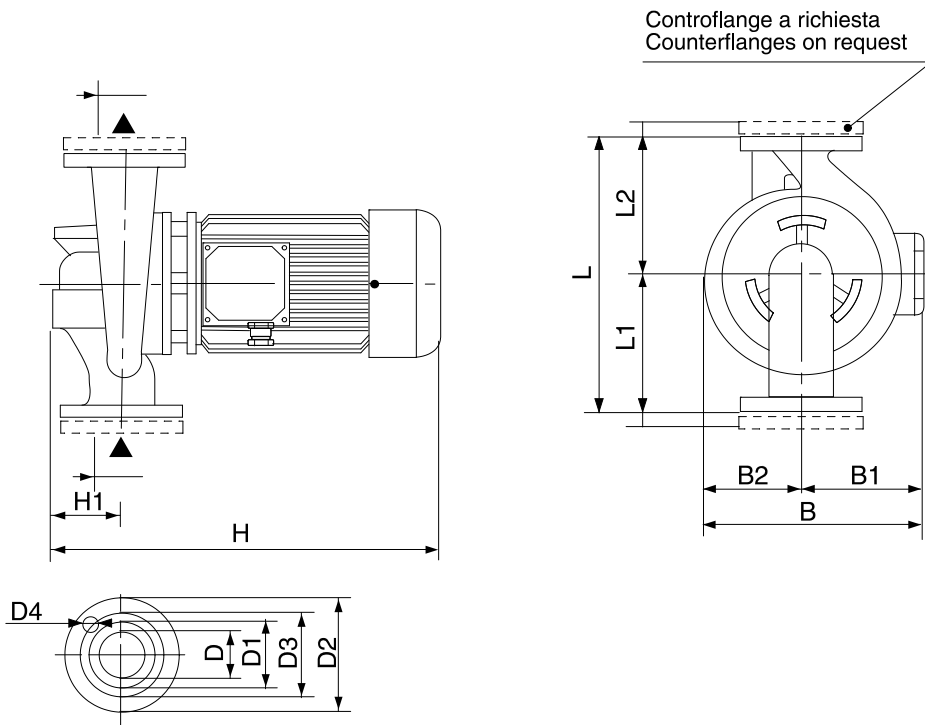
Page 3 / 3

Receiver

From

Society  
Reference  
Address  
Phone  
Fax  
E-mail

## CP 50/2200 T IE3



Dimensions in mm					Pump connection	
1	B	233	L2	200		
2	B1	120				Suction
3	B2	113				DN 50
4	D	50 PN16				PN 16
5	D1	102				
6	D2	165				
7	D3	125				Discharge
8	D4	4 x Ø18				DN 50
9	H	463				PN 16
10	H1	105				
11	L	425				
12	L1	225				

MAIN\_PROJECT\_TITLE

BUSINESS\_PROCESS\_ID

OWNER

ISSUE\_DATE

2021-09-30