

Receiver

From

Society
Reference
Address
Phone
Fax
E-mail

Item n° :

60180101

Model :

CP 40/3500 T IE3

Pump data

MEI ≥

Pressure rating : PN 16
Min. fluid temperature : -10 °C
Max. fluid temperature : 130 °C
Max. Ambient temperature : 40 °C

Requested data

Flow :
Head :
Fluid (%) :
Fluid Temperature : 20 °C
Density : 998,3 kg/m³
Kinematic viscosity : 1,005 mm²/s
Vapor pressure : 2,34 kPa

Hydraulic data (duty point)

Flow :
Head :
NPSH :
Shaft power P2 :
Efficiency :

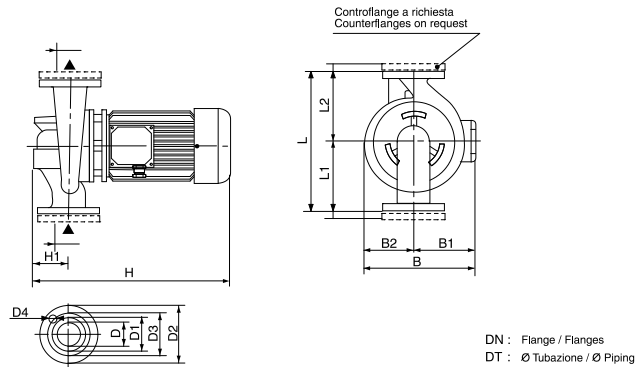
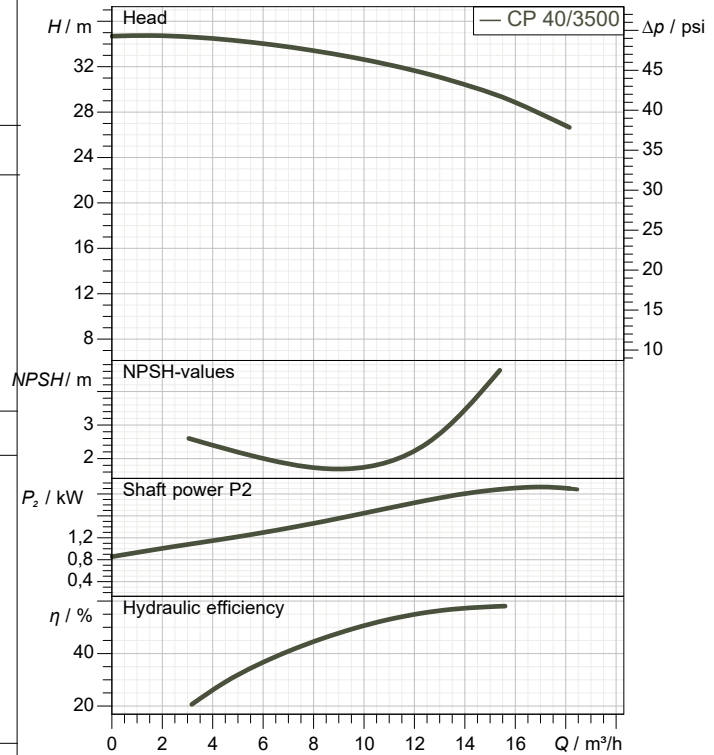
Materials

Pump body Cast iron 250 UNI ISO 185
Support Cast iron 250 UNI ISO 185
Impeller Technopolymer B
Mechanical seal Carbon/Graphite
OR ring EPDM Rubber
Shaft with rotor AISI 304 X5 Cr Ni 1810 UNI 6900/71

Motor data

Nominal power P2 : 2,2 kW
Rated speed : 2.895 1/min
Rated voltage : 3~ 230 V 50 Hz
Nominal current : 8,9 A
Degree of protection : IP 55

Curve tolerance according to ISO 9906



Weight :

Dimensions in mm

D	40 PN16	L1	200		
D1	88	L2	190		
D2	150				
D3	110				
D4	4 x Ø18				
H	453				
H1	95				
L	390				

Pump connection

Suction side : DN 40 / PN 16
Discharge side : DN 40 / PN 16



PERFORMANCE CURVES

2021-09-30

Page 2 / 3

DAB PUMPS S.p.A.
Via Marco Polo, 14 - 35035 Mestrino (PD), Italy
Tel. +39 049 5125000 - Fax +39 049 5125950
www.dabpumps.com

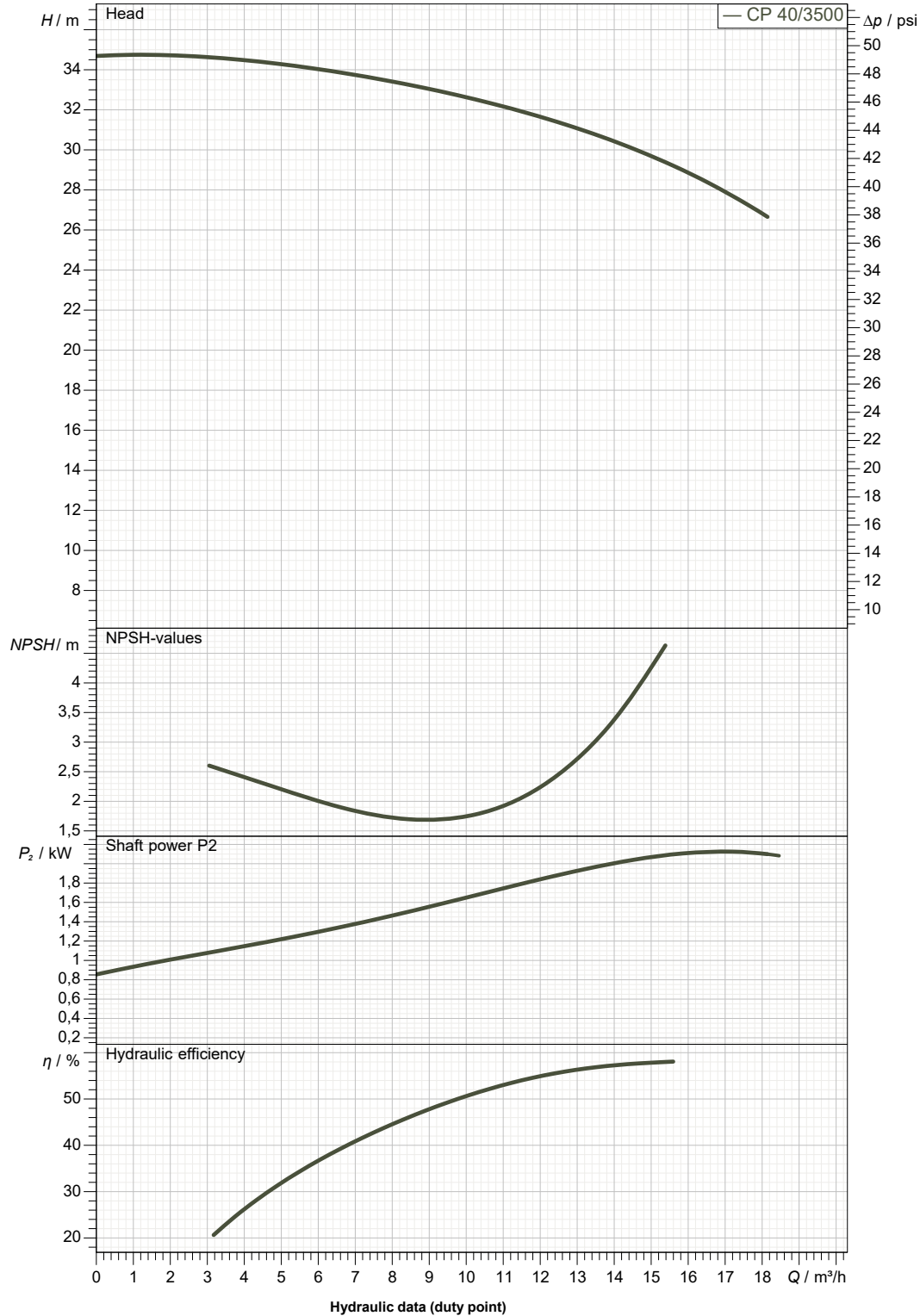
Receiver

From

Society
Reference
Address
Phone
Fax
E-mail

CP 40/3500 T IE3

Curve tolerance according to ISO 9906



Suction side :
DN 40
PN 16

Discharge side :
DN 40
PN 16

Flow :

Head :

Rated speed :
2.895 1/min

MAIN_PROJECT_TITLE

BUSINESS_PROCESS_ID

OWNER_

ISSUE_DATE

2021-09-30



DIMENSIONAL DRAWING

2021-09-30

Page 3 / 3

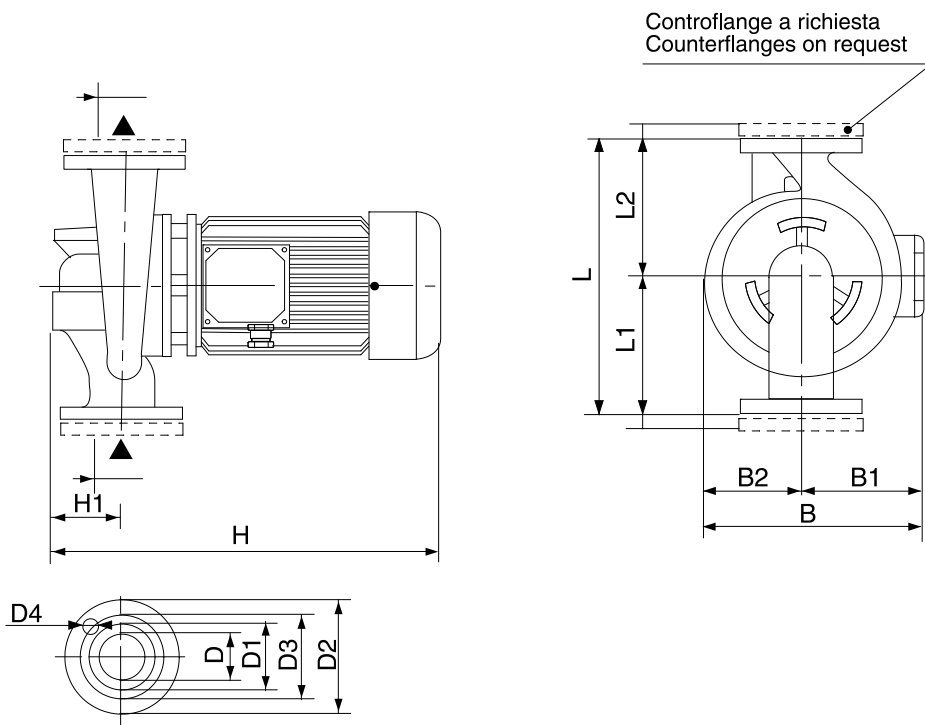
DAB PUMPS S.p.A.
Via Marco Polo, 14 - 35035 Mestrino (PD), Italy
Tel. +39 049 5125000 - Fax +39 049 5125950
www.dabpumps.com

Receiver

From

Society
Reference
Address
Phone
Fax
E-mail

CP 40/3500 T IE3



Dimensions in mm				Pump connection			
1	D	40 PN16					
2	D1	88					Suction
3	D2	150					DN 40
4	D3	110					PN 16
5	D4	4 x Ø18					
6	H	453					
7	H1	95					Discharge
8	L	390					DN 40
9	L1	200					PN 16
10	L2	190					
11							
12							

MAIN_PROJECT_TITLE	BUSINESS_PROCESS_ID	OWNER	ISSUE_DATE 2021-09-30
--------------------	---------------------	-------	--------------------------