

Receiver
From

 Society
 Reference
 Address
 Phone
 Fax
 E-mail

Item n° :

60179895

Model :

CP 40/1900 T IE3

Pump data

MEI ≥

 Pressure rating : PN 16
 Min. fluid temperature : -10 °C
 Max. fluid temperature : 130 °C
 Max. Ambient temperature : 40 °C

Requested data

 Flow :
 Head :
 Fluid (%) :
 Fluid Temperature : 20 °C
 Density : 998,3 kg/m³
 Kinematic viscosity : 1,005 mm²/s
 Vapor pressure : 2,34 kPa

Hydraulic data (duty point)

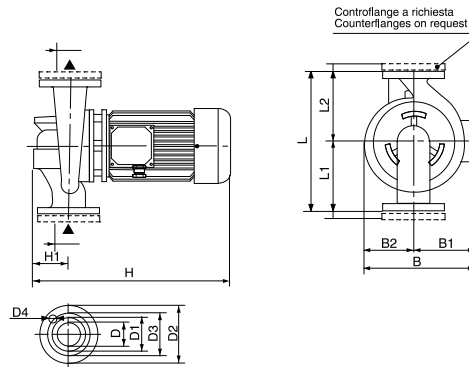
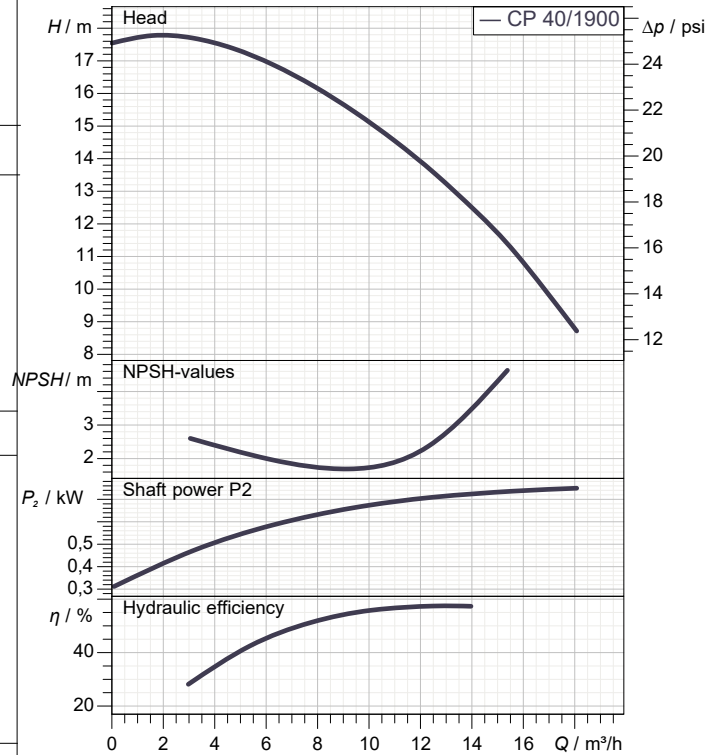
 Flow :
 Head :
 NPSH :
 Shaft power P2 :
 Efficiency :

Materials

 Pump body Cast iron 250 UNI ISO 185
 Support Cast iron 250 UNI ISO 185
 Impeller Technopolymer B
 Mechanical seal Carbon/Graphite
 OR ring EPDM Rubber
 Shaft with rotor AISI 304 X5 Cr Ni 1810 UNI 6900/71

Motor data

 Nominal power P2 : 0,75 kW
 Rated speed : 2.934 1/min
 Rated voltage : 3~ 230 V 50 Hz
 Nominal current : 4,3 A
 Degree of protection : IP 55

Curve tolerance according to ISO 9906

 DN : Flange / Flanges
 DT : \varnothing Tubazione / \varnothing Piping

Weight : 41 kg

Dimensions in mm

B	231	H	453
B1	118	H1	95
B2	113	L	390
D	40 PN16	L1	200
D1	88	L2	190
D2	150		
D3	110		
D4	4 x \varnothing 18		

Pump connection

 Suction side : DN 40 / PN 16
 Discharge side : DN 40 / PN 16

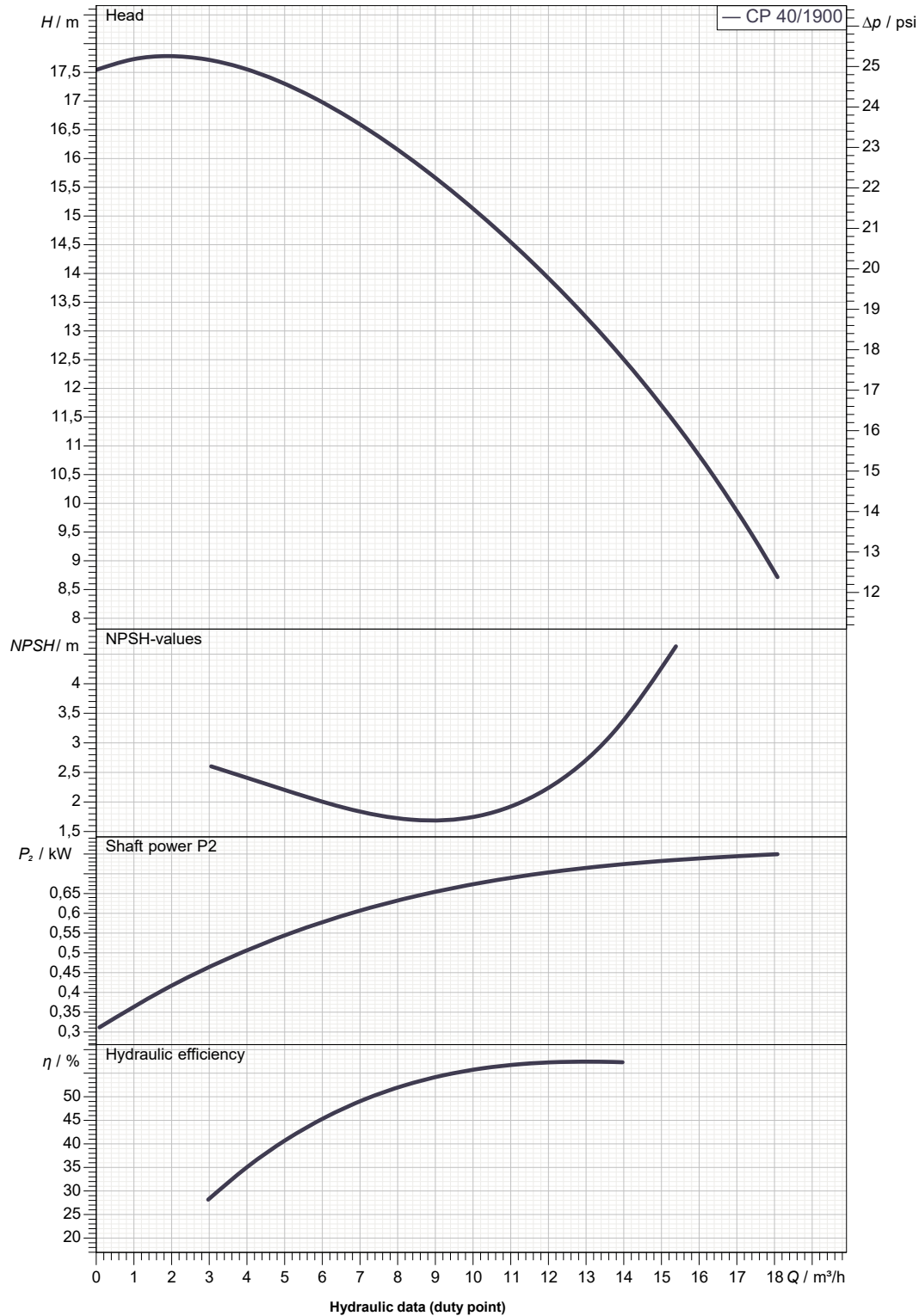
Receiver

From

 Society
 Reference
 Address
 Phone
 Fax
 E-mail

CP 40/1900 T IE3

Curve tolerance according to ISO 9906


 Suction side :
 DN 40
 PN 16

 Discharge side :
 DN 40
 PN 16

Flow :

Head :

 Rated speed :
 2.934 1/min

MAIN_PROJECT_TITLE

BUSINESS_PROCESS_ID

OWNER_

ISSUE_DATE

2021-09-28



DIMENSIONAL DRAWING

2021-09-28

Page 3 / 3

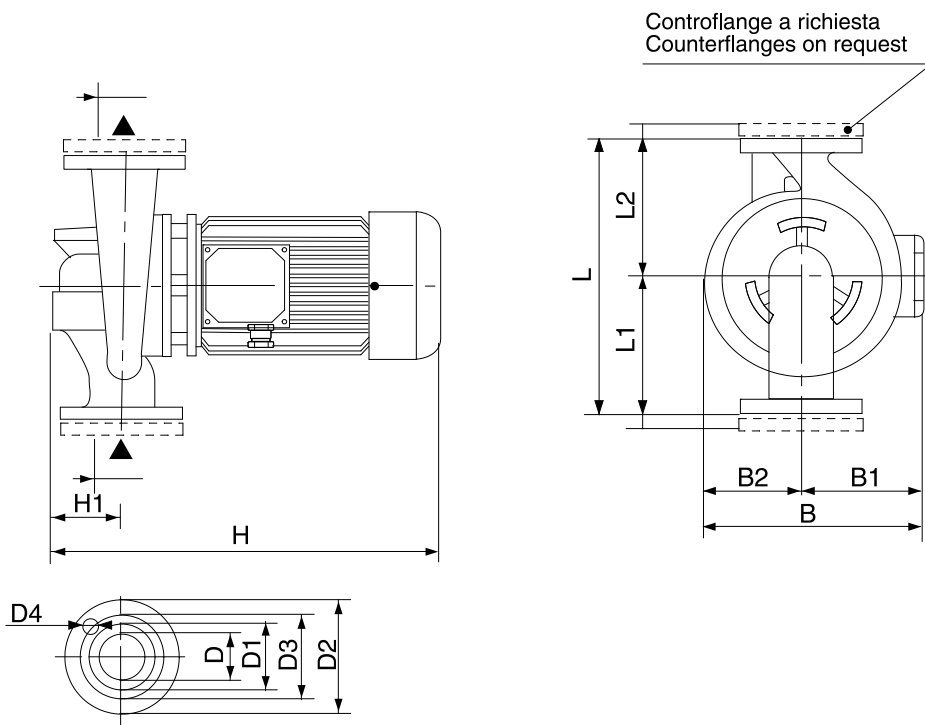
DAB PUMPS S.p.A.
Via Marco Polo, 14 - 35035 Mestrino (PD), Italy
Tel. +39 049 5125000 - Fax +39 049 5125950
www.dabpumps.com

Receiver

From

Society
Reference
Address
Phone
Fax
E-mail

CP 40/1900 T IE3



Dimensions in mm						Pump connection
1	B	231	L2	190		Suction DN 40 PN 16
2	B1	118				
3	B2	113				
4	D	40 PN16				Discharge DN 40 PN 16
5	D1	88				
6	D2	150				
7	D3	110				
8	D4	4 x Ø18				
9	H	453				
10	H1	95				
11	L	390				
12	L1	200				

MAIN_PROJECT_TITLE	BUSINESS_PROCESS_ID	OWNER	ISSUE_DATE 2021-09-28
--------------------	---------------------	-------	--------------------------