

Receiver

From

Society
Reference
Address
Phone
Fax
E-mail

Item n° :

1D5211GAV

Model :

CP-G 80-2770/A/BAQE/7,5 IE3

Pump data

MEI ≥

Pressure rating : PN 16
Min. fluid temperature : -10 °C
Max. fluid temperature : 140 °C
Max. Ambient temperature : 40 °C

Requested data

Flow :
Head :
Fluid (%) :
Fluid Temperature : 20 °C
Density : 998,3 kg/m³
Kinematic viscosity : 1,005 mm²/s
Vapor pressure : 2,34 kPa

Real duty point

Flow :
Head :
NPSH :
Shaft power P2 :
Efficiency :

Materials

Pump body : Cast iron 250 UNI ISO 185
Support : Cast iron 250 UNI ISO 185
Impeller : Cast iron 250 UNI ISO 185
Mechanical seal : SEE "SHAFT SEAL" SECTION
OR ring : EPDM Rubber
Shaft with rotor : AISI 304 X5 Cr Ni 1810 UNI 6900/71

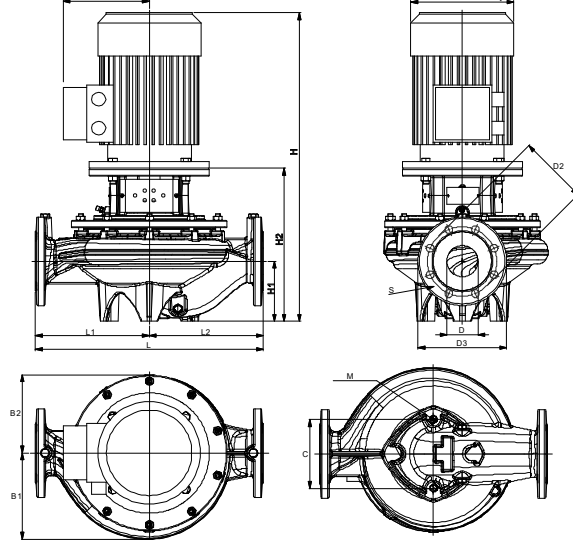
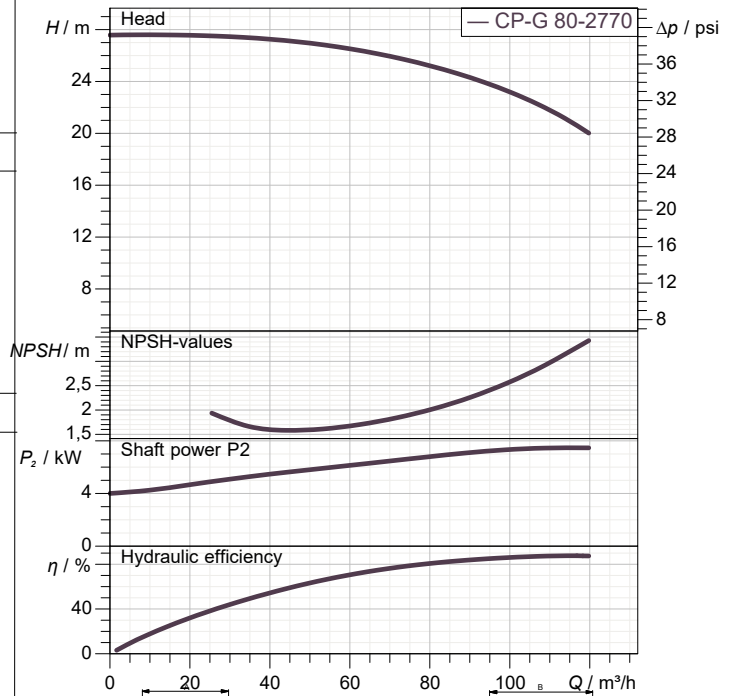
Shaft seal

Type : Rubber
Stationary part : Silicon carbide
Rotating part : Carbon
Elastomer : EPDM

Motor data

Nominal power P2 : 7,5 kW
Rated speed : 2.900 1/min
Rated voltage : 3~ 400 V 50 Hz
Nominal current : 13,4 A
Degree of protection : IP 55

Curve tolerance according to ISO 9906



Weight : 0 kg

Dimensions in mm

| Dimension | Value | Dimension | Value |
|-----------|-------|-----------|---------|
| A | 188 | H1 | 115 |
| B1 | 178 | H2 | 358 |
| B2 | 151 | L | 440 |
| C | 144 | L1 | 220 |
| D | 80 | L2 | 220 |
| D2 | 160 | M | M16 |
| D3 | 200 | S | 8 x Ø18 |
| H | 795 | | |

Pump connection

Suction side : DN 80 / PN 16
Discharge side : DN 80 / PN 16



PERFORMANCE CURVES

2021-09-30

Page 2 / 3

DAB PUMPS S.p.A.
Via Marco Polo, 14 - 35035 Mestrino (PD), Italy
Tel. +39 049 5125000 - Fax +39 049 5125950
www.dabpumps.com

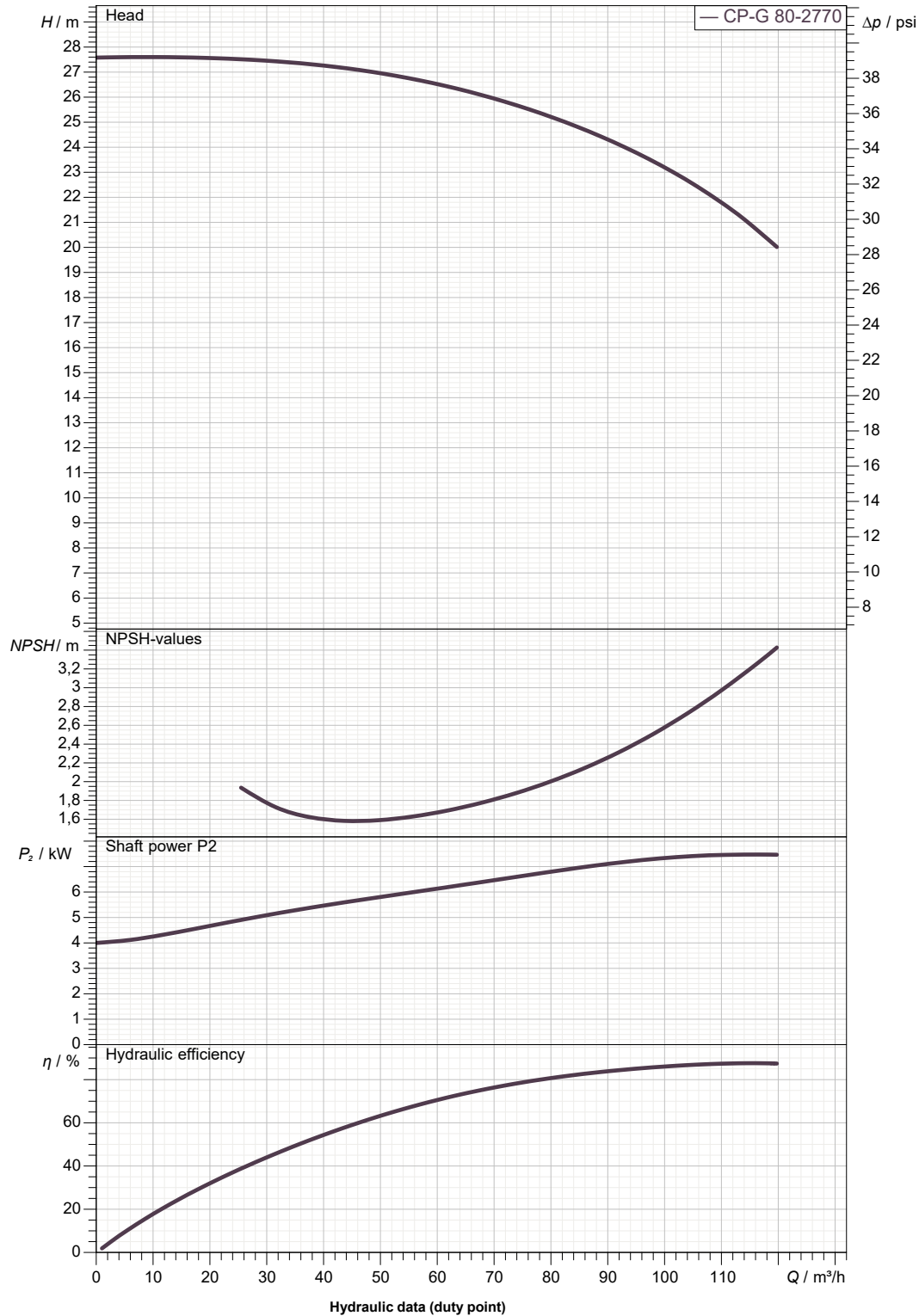
Receiver

From

Society
Reference
Address
Phone
Fax
E-mail

CP-G 80-2770/A/BAQE/7,5 IE3

Curve tolerance according to ISO 9906



Suction side :
DN 80
PN 16

Discharge side :
DN 80
PN 16

Flow :

Head :

Rated speed :
2.900 1/min

MAIN_PROJECT_TITLE

BUSINESS_PROCESS_ID

OWNER_

ISSUE_DATE

2021-09-30



DIMENSIONAL DRAWING

DAB PUMPS S.p.A.
Via Marco Polo, 14 - 35035 Mestrino (PD), Italy
Tel. +39 049 5125000 - Fax +39 049 5125950
www.dabpumps.com

2021-09-30

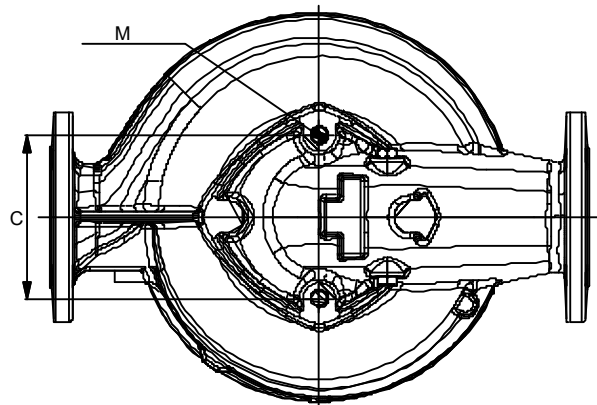
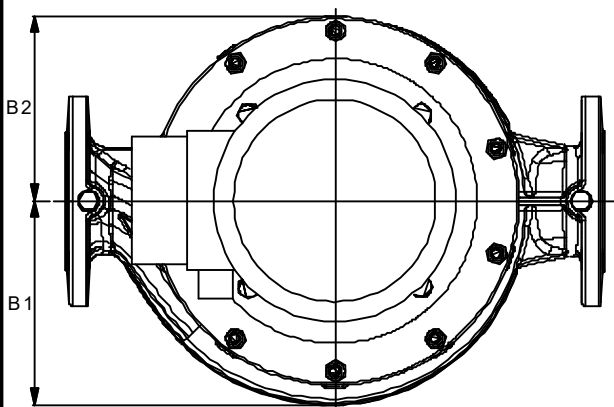
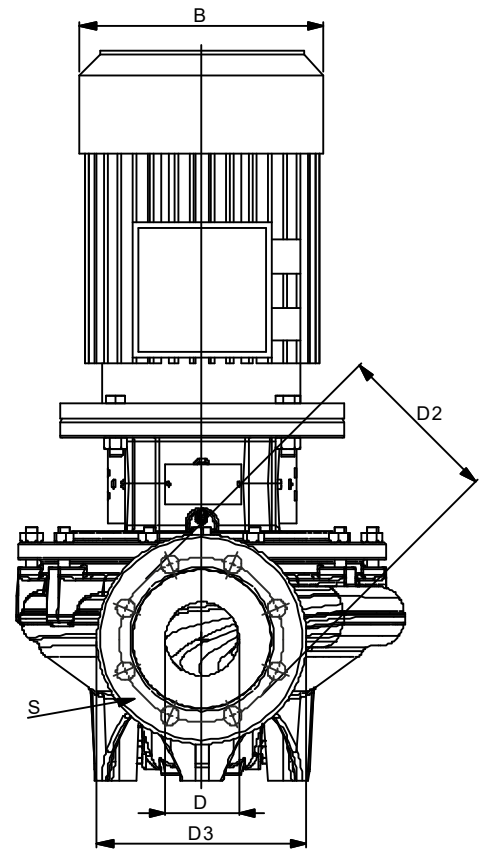
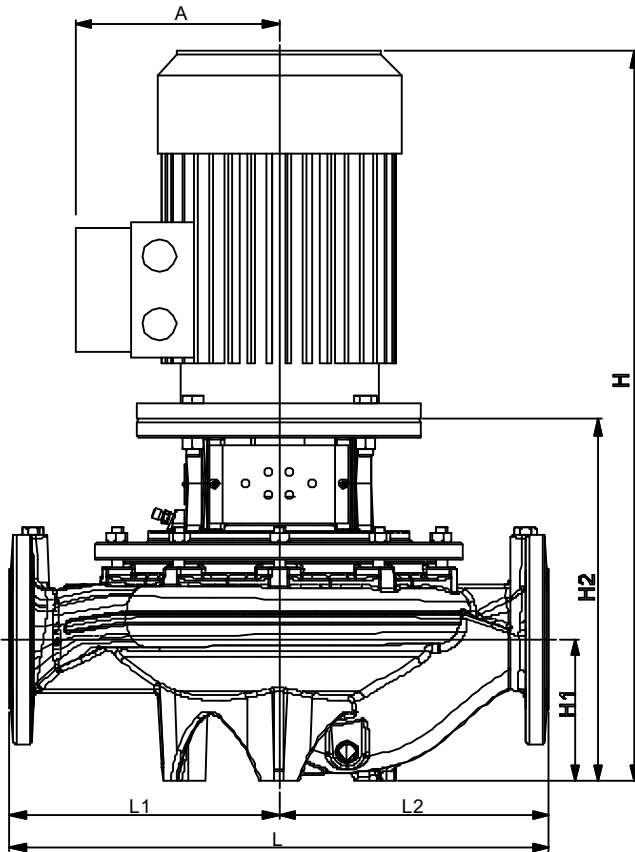
Page 3 / 3

Receiver

From

Society
Reference
Address
Phone
Fax
E-mail

CP-G 80-2770/A/BAQE/7,5 IE3



Dimensions in mm

| | | | | |
|----|----|-----|----|---------|
| 1 | A | 188 | L2 | 220 |
| 2 | B1 | 178 | M | M16 |
| 3 | B2 | 151 | S | 8 x Ø18 |
| 4 | C | 144 | | |
| 5 | D | 80 | | |
| 6 | D2 | 160 | | |
| 7 | D3 | 200 | | |
| 8 | H | 795 | | |
| 9 | H1 | 115 | | |
| 10 | H2 | 358 | | |
| 11 | L | 440 | | |
| 12 | L1 | 220 | | |

Pump connection

Suction
DN 80
PN 16

Discharge
DN 80
PN 16

MAIN_PROJECT_TITLE

BUSINESS_PROCESS_ID

OWNER

ISSUE_DATE

2021-09-30