

Receiver

Society
Reference
Address
Phone
Fax
E-mail

From

Item n° :

1D4211GAV

Model :

CP-G 65-4100/A/BAQE/7,5 IE3

Pump data

MEI ≥

Pressure rating : PN 16
Min. fluid temperature : -10 °C
Max. fluid temperature : 140 °C
Max. Ambient temperature : 40 °C

Requested data

Flow :
Head :
Fluid (%) :
Fluid Temperature : 20 °C
Density : 998,3 kg/m³
Kinematic viscosity : 1,005 mm²/s
Vapor pressure : 2,34 kPa

Real duty point

Flow :
Head :
NPSH :
Shaft power P2 :
Efficiency :

Materials

Pump body : Cast iron 250 UNI ISO 185
Support : Cast iron 250 UNI ISO 185
Impeller : Cast iron 250 UNI ISO 185
Mechanical seal : SEE "SHAFT SEAL" SECTION
OR ring : EPDM Rubber
Shaft with rotor : AISI 304 X5 Cr Ni 1810 UNI 6900/71

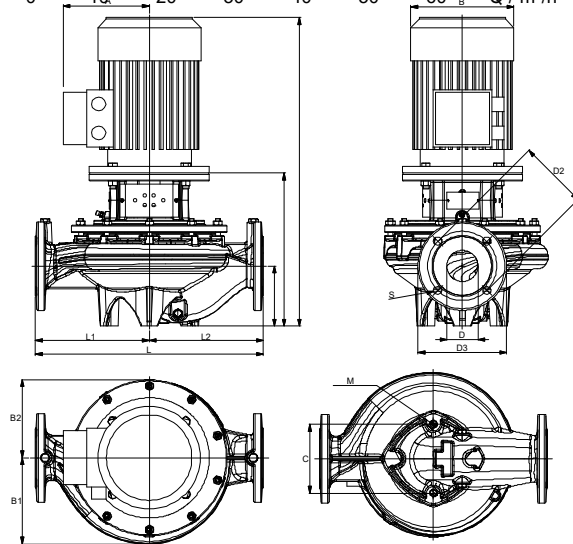
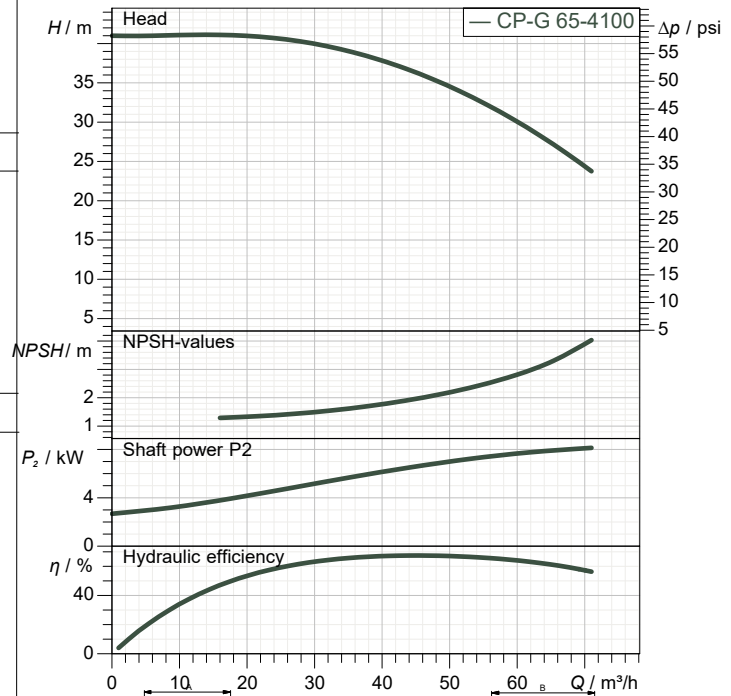
Shaft seal

Type : Rubber
Stationary part : Silicon carbide
Rotating part : Carbon
Elastomer : EPDM

Motor data

Nominal power P2 : 7,5 kW
Rated speed : 2.900 1/min
Rated voltage : 3~ 400 V 50 Hz
Nominal current : 13,4 A
Degree of protection : IP 55

Curve tolerance according to ISO 9906



Weight : 87 kg

Dimensions in mm

A	188	H1	107
B1	151	H2	346
B2	151	L	360
C	144	L1	180
D	65	L2	180
D2	145	M	M16
D3	185	S	4 x Ø18
H	783		

Pump connection

Suction side : DN 65 / PN 16
Discharge side : DN 65 / PN 16



PERFORMANCE CURVES

2021-09-30

Page 2 / 3

DAB PUMPS S.p.A.
Via Marco Polo, 14 - 35035 Mestrino (PD), Italy
Tel. +39 049 5125000 - Fax +39 049 5125950
www.dabpumps.com

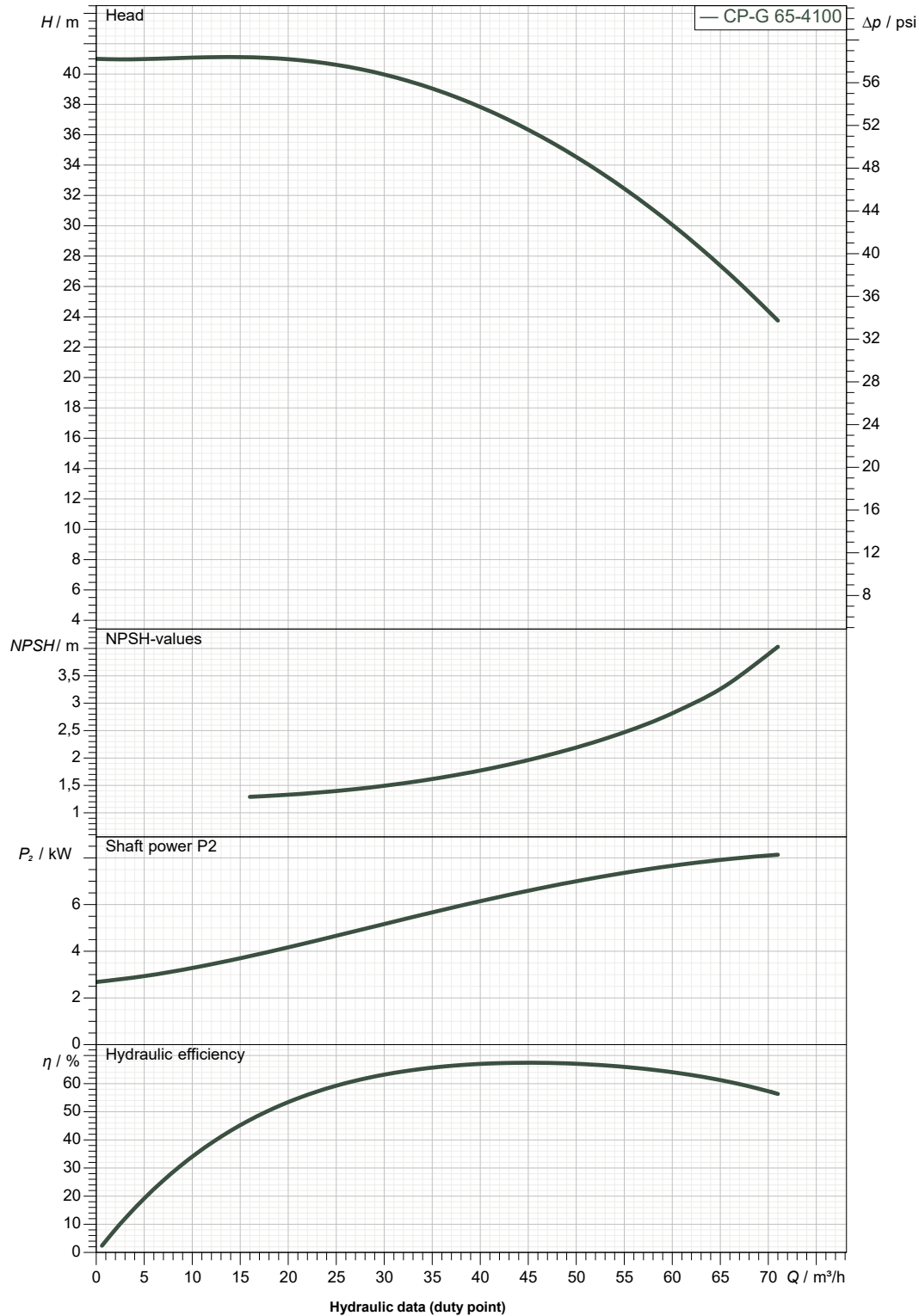
Receiver

From

Society
Reference
Address
Phone
Fax
E-mail

CP-G 65-4100/A/BAQE/7,5 IE3

Curve tolerance according to ISO 9906



Suction side :
DN 65
PN 16

Discharge side :
DN 65
PN 16

Flow :

Head :

Rated speed :
2.900 1/min

MAIN_PROJECT_TITLE

BUSINESS_PROCESS_ID

OWNER_

ISSUE_DATE

2021-09-30



DIMENSIONAL DRAWING

DAB PUMPS S.p.A.
Via Marco Polo, 14 - 35035 Mestrino (PD), Italy
Tel. +39 049 5125000 - Fax +39 049 5125950
www.dabpumps.com

2021-09-30

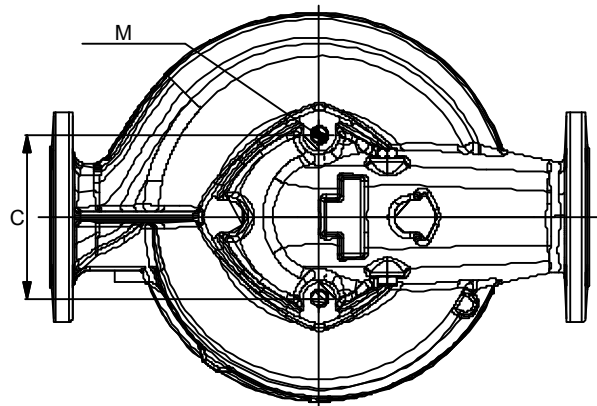
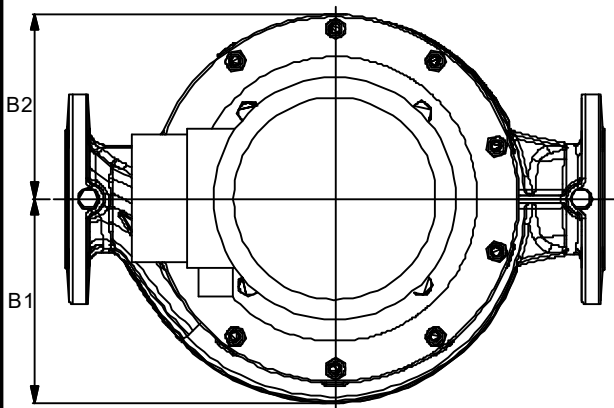
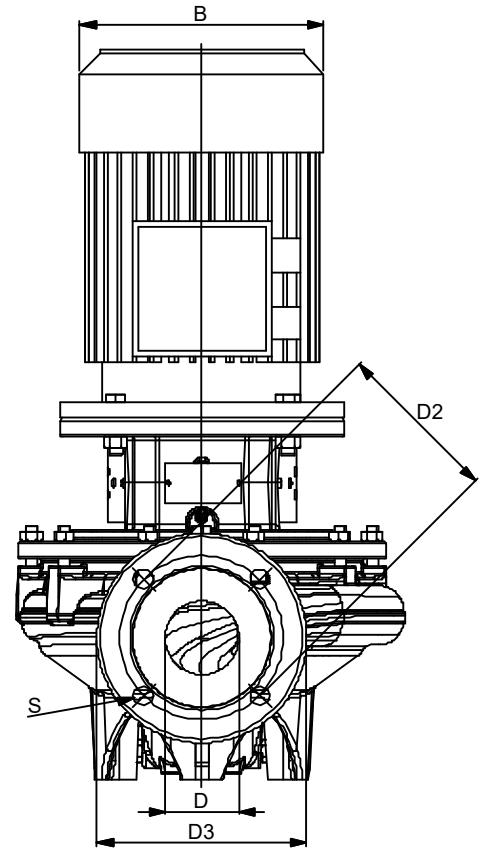
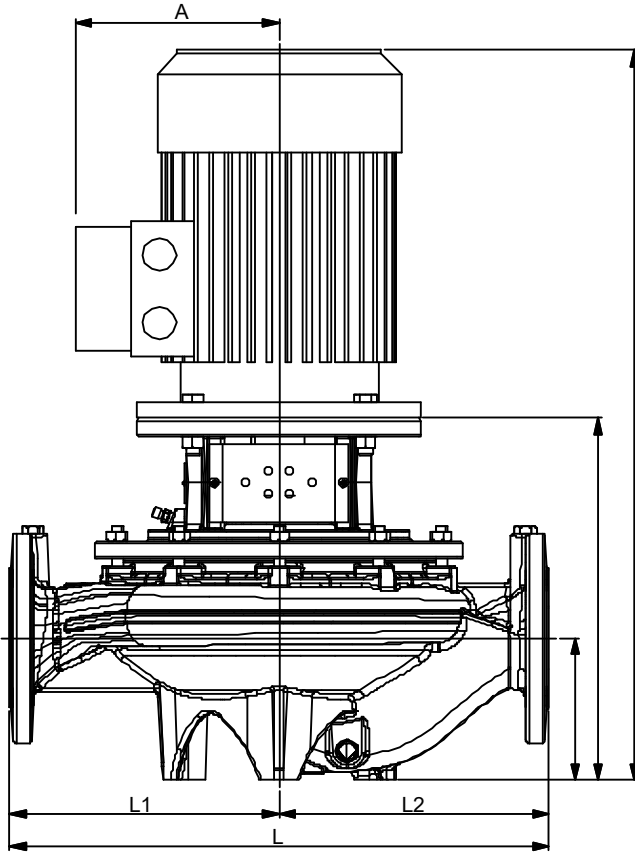
Page 3 / 3

Receiver

From

Society
Reference
Address
Phone
Fax
E-mail

CP-G 65-4100/A/BAQE/7,5 IE3



Dimensions in mm

1	A	188	L2	180
2	B1	151	M	M16
3	B2	151	S	4 x Ø18
4	C	144		
5	D	65		
6	D2	145		
7	D3	185		
8	H	783		
9	H1	107		
10	H2	346		
11	L	360		
12	L1	180		

Pump connection

Suction
DN 65
PN 16

Discharge
DN 65
PN 16

MAIN_PROJECT_TITLE

BUSINESS_PROCESS_ID

OWNER

ISSUE_DATE

2021-09-30