

**Receiver**

**From**

Society  
Reference  
Address  
Phone  
Fax  
E-mail

**Item n° :**

1D4111G6U

**Model :**

CP-G 65-1900/A/BAQE/2,2 IE3

**Pump data**

MEI ≥

Pressure rating : PN 16  
Min. fluid temperature : -10 °C  
Max. fluid temperature : 140 °C  
Max. Ambient temperature : 40 °C

**Requested data**

Flow :  
Head :  
Fluid (%) :  
Fluid Temperature : 20 °C  
Density : 998,3 kg/m³  
Kinematic viscosity : 1,005 mm²/s  
Vapor pressure : 2,34 kPa

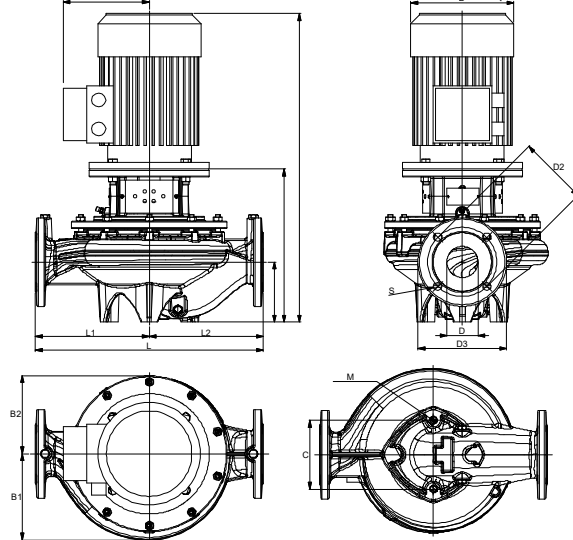
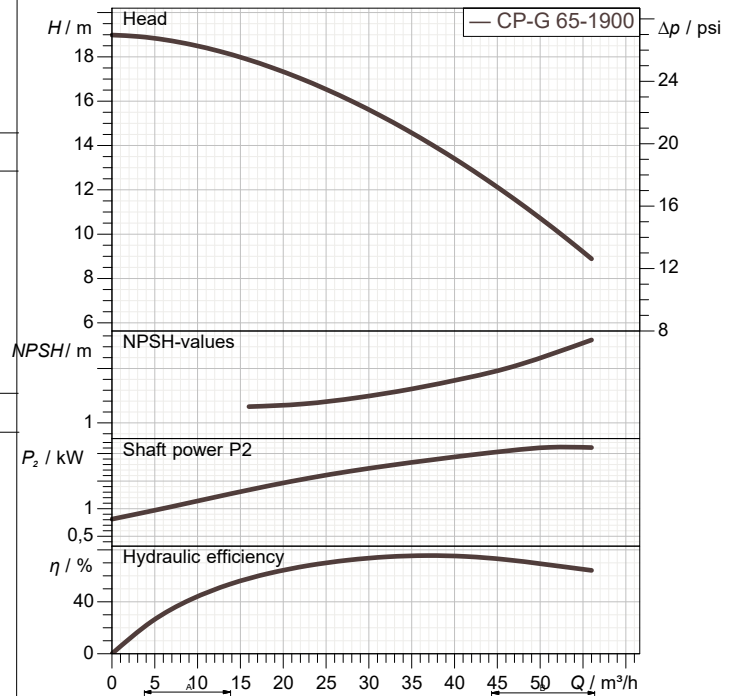
**Real duty point**

Flow :  
Head :  
NPSH :  
Shaft power P2 :  
Efficiency :

**Materials**

Pump body : Cast iron 250 UNI ISO 185  
Support : Cast iron 250 UNI ISO 185  
Impeller : Cast iron 250 UNI ISO 185  
Mechanical seal : SEE "SHAFT SEAL" SECTION  
OR ring : EPDM Rubber  
Shaft with rotor : AISI 304 X5 Cr Ni 1810 UNI 6900/71

**Curve tolerance according to ISO 9906**



**Shaft seal**

Type : Rubber  
Stationary part : Silicon carbide  
Rotating part : Carbon  
Elastomer : EPDM

**Weight :** 68 kg

**Motor data**

Nominal power  $P_2$  : 2,2 kW  
Rated speed : 2.880 1/min  
Rated voltage : 3~ 400 V 50 Hz  
Nominal current : 4,6 A  
Degree of protection : IP 55

**Dimensions in mm**

Dimension	Value	Dimension	Value
A	130	H1	107
B1	144	H2	279
B2	126	L	360
C	144	L1	180
D	65	L2	180
D2	145	M	M16
D3	185	S	4 x Ø18
H	583		

**Pump connection**

Suction side : DN 65 / PN 16  
Discharge side : DN 65 / PN 16



# PERFORMANCE CURVES

2021-09-30

Page 2 / 3

DAB PUMPS S.p.A.  
Via Marco Polo, 14 - 35035 Mestrino (PD), Italy  
Tel. +39 049 5125000 - Fax +39 049 5125950  
www.dabpumps.com

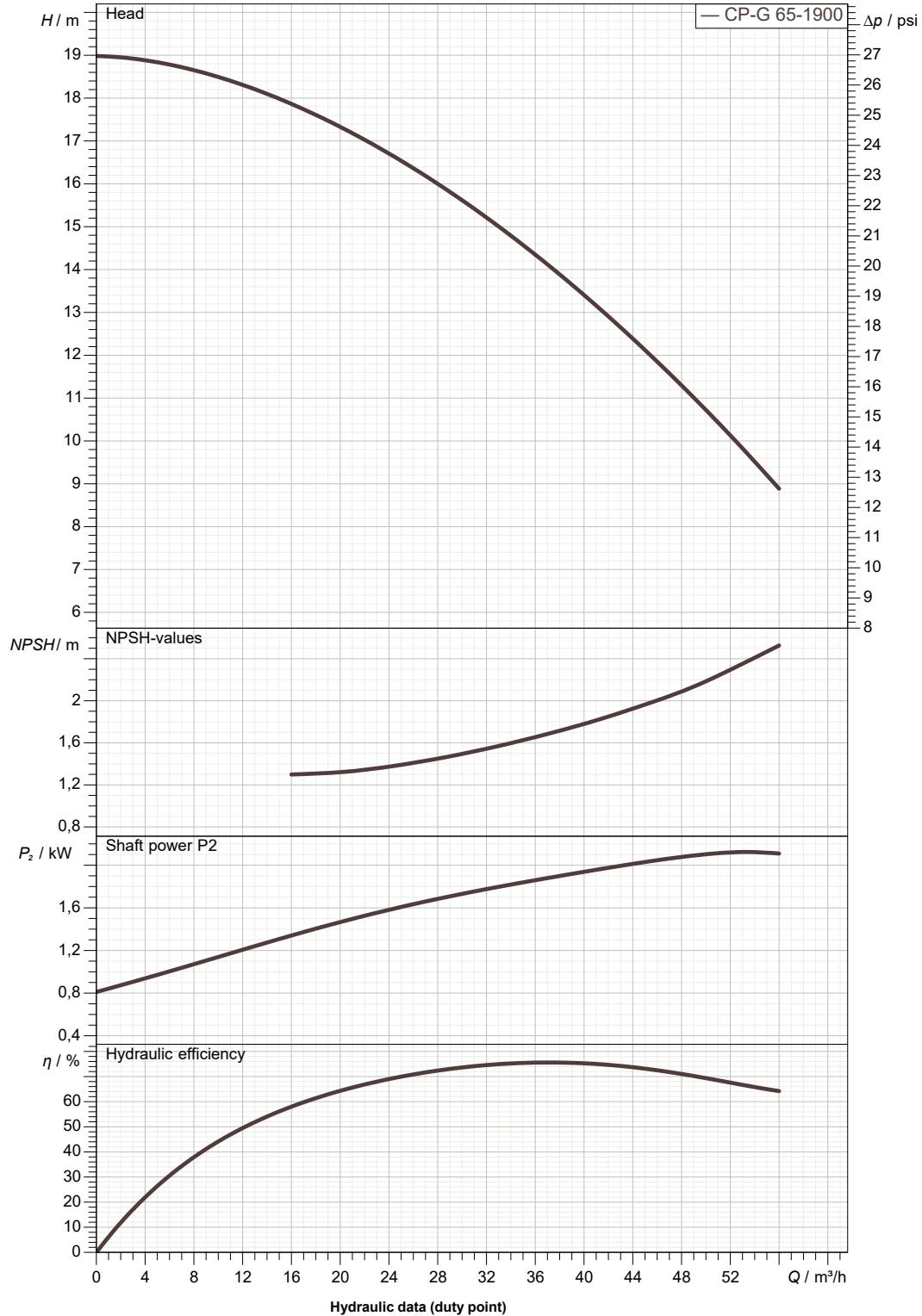
Receiver

From

Society  
Reference  
Address  
Phone  
Fax  
E-mail

## CP-G 65-1900/A/BAQE/2,2 IE3

Curve tolerance according to ISO 9906



Suction side :  
DN 65  
PN 16

Discharge side :  
DN 65  
PN 16

Flow :

Head :

Rated speed :  
2.880 1/min

MAIN\_PROJECT\_TITLE

BUSINESS\_PROCESS\_ID

OWNER\_

ISSUE\_DATE  
2021-09-30



# DIMENSIONAL DRAWING

DAB PUMPS S.p.A.  
Via Marco Polo, 14 - 35035 Mestrino (PD), Italy  
Tel. +39 049 5125000 - Fax +39 049 5125950  
www.dabpumps.com

2021-09-30

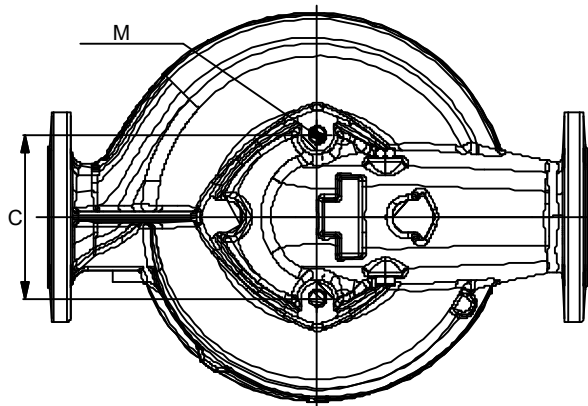
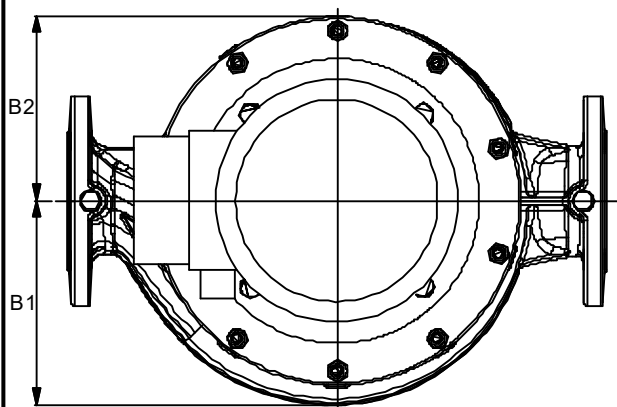
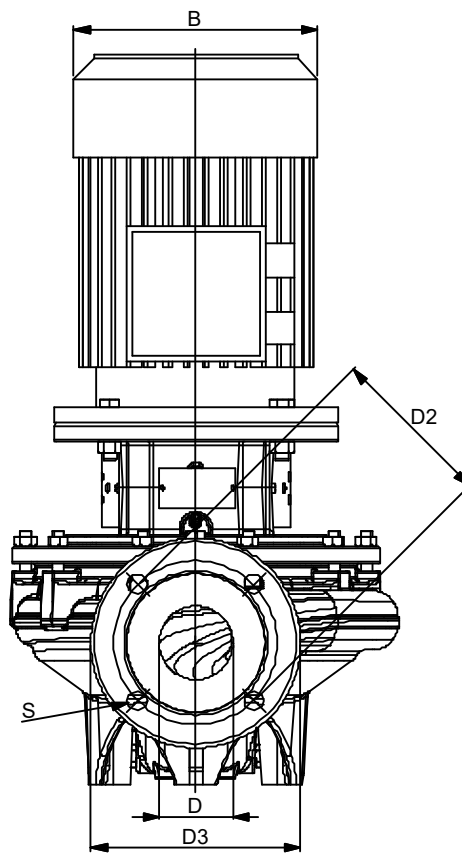
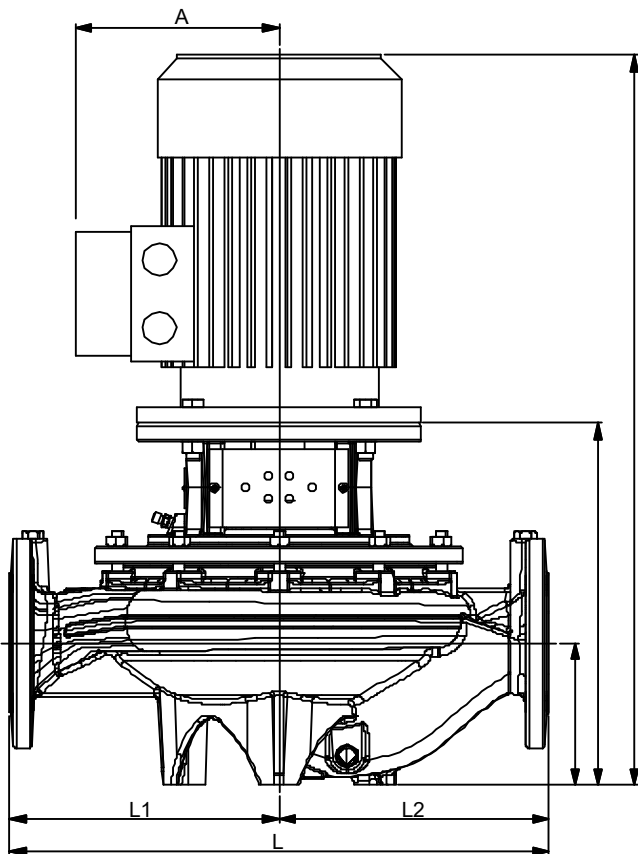
Page 3 / 3

Receiver

From

Society  
Reference  
Address  
Phone  
Fax  
E-mail

## CP-G 65-1900/A/BAQE/2,2 IE3



Dimensions in mm						Pump connection
1	A	130	L2	180		
2	B1	144	M	M16		Suction
3	B2	126	S	4 x Ø18		DN 65
4	C	144				PN 16
5	D	65				
6	D2	145				
7	D3	185				Discharge
8	H	583				DN 65
9	H1	107				PN 16
10	H2	279				
11	L	360				
12	L1	180				

MAIN_PROJECT_TITLE	BUSINESS_PROCESS_ID	OWNER_	ISSUE_DATE <b>2021-09-30</b>
--------------------	---------------------	--------	---------------------------------