

Receiver

From

Society
Reference
Address
Phone
Fax
E-mail

Item n° :

505924622

Model :

BPH 60/280.50 T

Pump data

Pressure rating : PN 10
Min. fluid temperature : -10 °C
Max. fluid temperature : 120 °C

Minimum suction head :

Temperature	°C	75	90	110	120
Minimum suction head :	m	1,6	6	--	19

Requested data

Flow :
Head :
Fluid (%) :
Fluid Temperature : 20 °C
Density : 998,3 kg/m³
Kinematic viscosity : 1,005 mm²/s
Vapor pressure : 2,34 kPa

Hydraulic data (duty point)

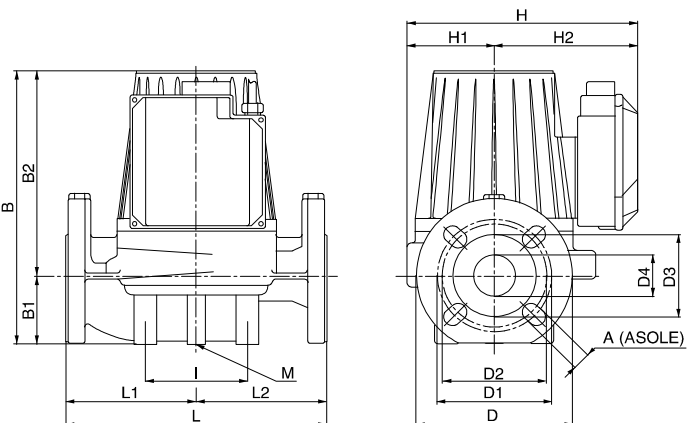
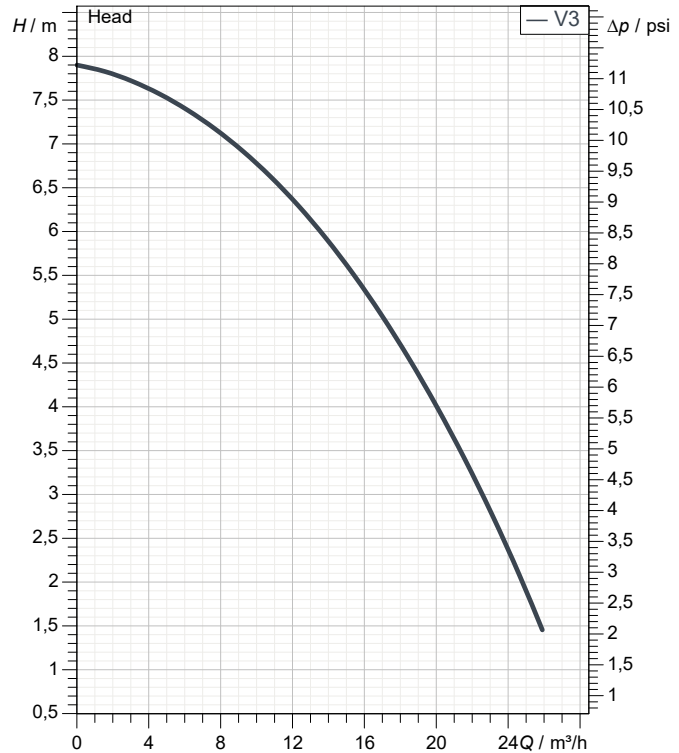
Flow :

Head :

Materials

Pump body	Cast iron 200 UNI ISO 185
Impeller	Technopolymer B
Motor shaft	AISI 420 C
Air vent plug	Brass P Cu Zn40 Pb2 UNI 5705
Seal ring	Ethylene propylene (EPDM)
Motor casing	Die cast aluminium
Stator jacket	AISI 321Bon. - AISI 304

Curve tolerance according to ISO 9906



Motor data

Motor brand : DAB
Power input P1 : 0,5891 kW
Rated speed : 2.890 1/min
Rated voltage : 3~ 400 V 50 Hz
Nominal current : 1,31 A
Degree of protection : IP 44

Dimensions in mm

A	18	D	165	D4	50	I	100
B	312	D1	125	H	254	L	280
B1	73	D2	110	H1	96	L1	140
B2	239	D3	90	H2	158	L2	140

Weight : 24 kg

Pump connection

Suction side : DN 50 / PN 10
Discharge side : DN 50 / PN 10



PERFORMANCE CURVES

2021-08-05

Page 2 / 3

DAB PUMPS S.p.A.
Via Marco Polo, 14 - 35035 Mestrino (PD), Italy
Tel. +39 049 5125000 - Fax +39 049 5125950
www.dabpumps.com

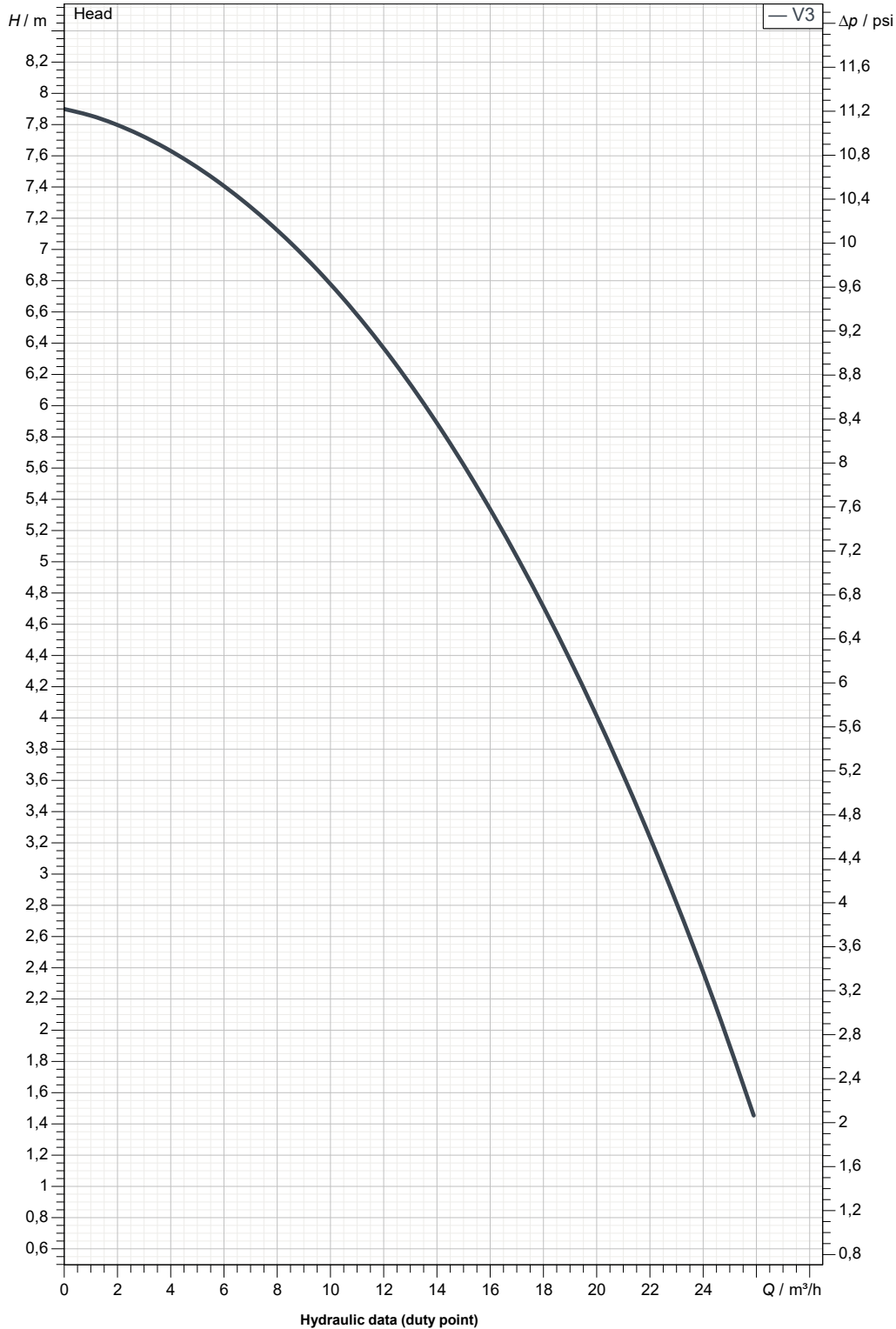
Receiver

From

Society
Reference
Address
Phone
Fax
E-mail

BPH 60/280.50 T

Curve tolerance according to ISO 9906



Suction side :
DN 50
PN 10

Discharge side :
DN 50
PN 10

Flow :

Head :

Rated speed :
2.890 1/min

MAIN_PROJECT_TITLE

BUSINESS_PROCESS_ID

OWNER_

ISSUE_DATE
2021-08-05



DIMENSIONAL DRAWING

2021-08-05

Page 3 / 3

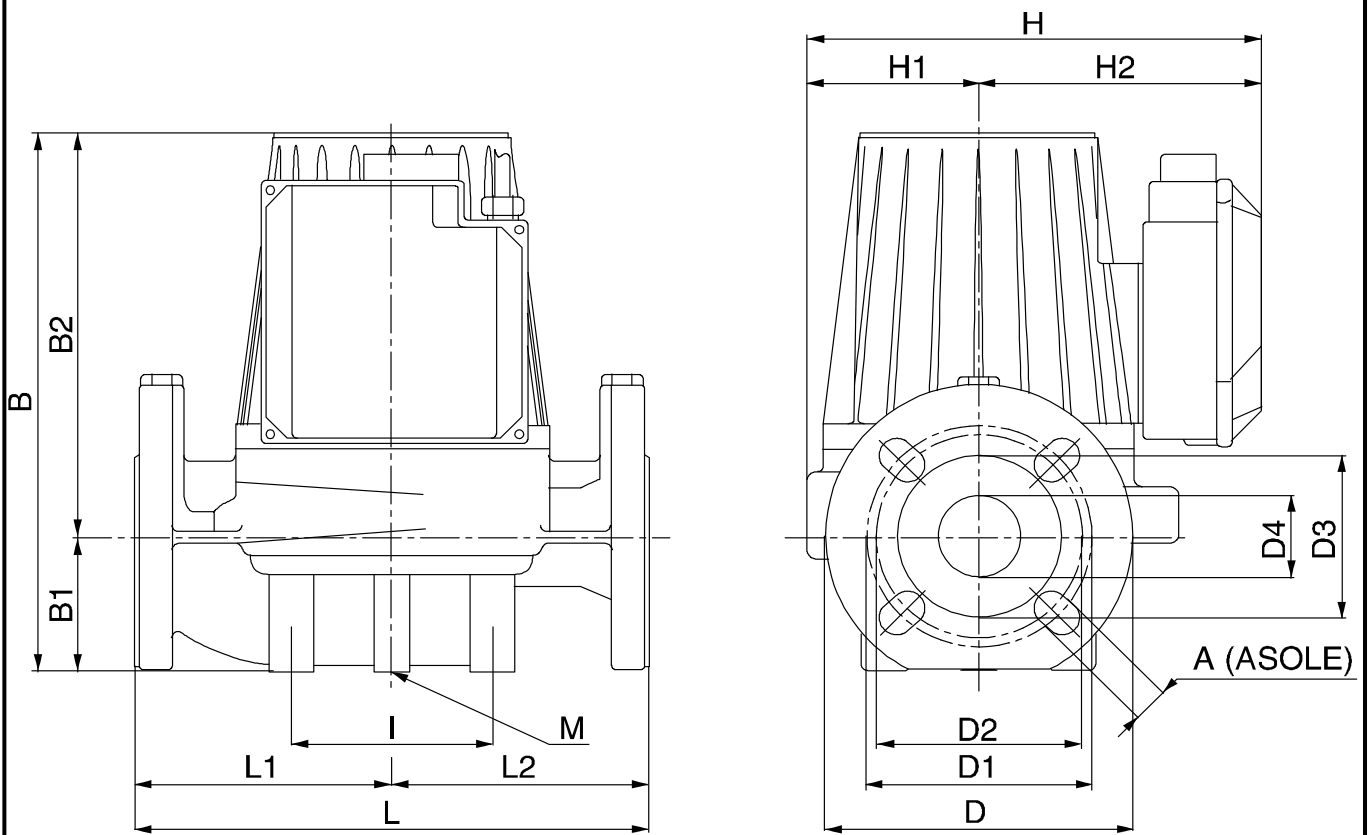
DAB PUMPS S.p.A.
Via Marco Polo, 14 - 35035 Mestrino (PD), Italy
Tel. +39 049 5125000 - Fax +39 049 5125950
www.dabpumps.com

Receiver

From

Society
Reference
Address
Phone
Fax
E-mail

BPH 60/280.50 T



Dimensions in mm

Pump connection

1	A	18	I	100			
2	B	312	L	280			Suction
3	B1	73	L1	140			DN 50
4	B2	239	L2	140			PN 10
5	D	165	M	M10			
6	D1	125					
7	D2	110					Discharge
8	D3	90					DN 50
9	D4	50					PN 10
10	H	254					
11	H1	96					
12	H2	158					

MAIN_PROJECT_TITLE

BUSINESS_PROCESS_ID

OWNER

ISSUE_DATE

2021-08-05