

### Receiver

### From

Society  
Reference  
Address  
Phone  
Fax  
E-mail

#### Item n° :

505924002

#### Model :

BPH 60/280.50 M

#### Pump data

Pressure rating : PN 10  
Min. fluid temperature : -10 °C  
Max. fluid temperature : 110 °C

#### Minimum suction head :

Temperature	°C	75	90	110	120
Minimum suction head :	m	1,6	6	14	--

#### Requested data

Flow :  
Head :  
Fluid (%) :  
Fluid Temperature : 20 °C  
Density : 998,3 kg/m³  
Kinematic viscosity : 1,005 mm²/s  
Vapor pressure : 2,34 kPa

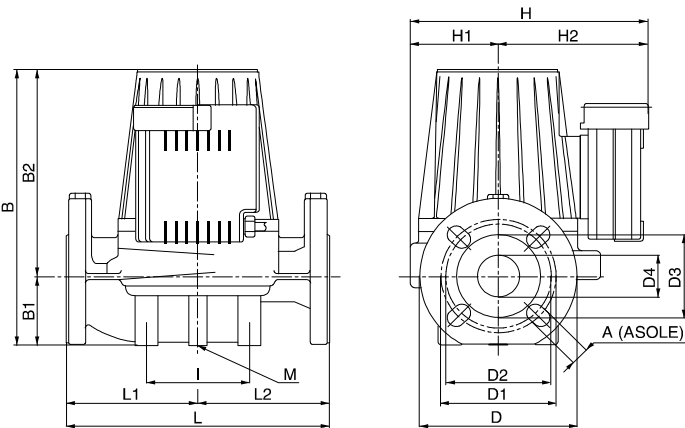
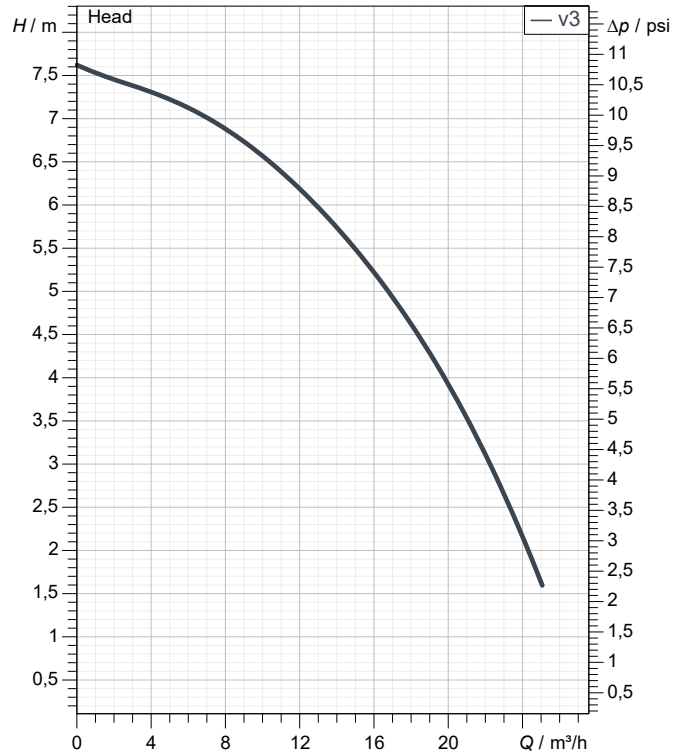
#### Hydraulic data (duty point)

Flow :  
Head :

#### Materials

Pump body	Cast iron 200 UNI ISO 185
Impeller	Technopolymer B
Motor shaft	AISI 420 C
Air vent plug	Brass P Cu Zn40 Pb2 UNI 5705
Seal ring	Ethylene propylene (EPDM)
Motor casing	Die cast aluminium
Stator jacket	AISI 321Bon. - AISI 304

Curve tolerance according to ISO 9906



#### Motor data

Motor brand :	DAB
Power input P1 :	0,5949 kW
Rated speed :	2.840 1/min
Rated voltage :	1~ 230 V      50 Hz
Nominal current :	2,79 A
Degree of protection :	IP 44

#### Dimensions in mm

A	18	D	165	D4	50	l	100
B	312	D1	125	H	254	L	280
B1	73	D2	110	H1	96	L1	140
B2	239	D3	90	H2	158	L2	140

Weight : 24 kg

#### Pump connection

Suction side : DN 50 / PN 10  
Discharge side : DN 50 / PN 10



# PERFORMANCE CURVES

2021-08-05

Page 2 / 3

DAB PUMPS S.p.A.  
Via Marco Polo, 14 - 35035 Mestrino (PD), Italy  
Tel. +39 049 5125000 - Fax +39 049 5125950  
www.dabpumps.com

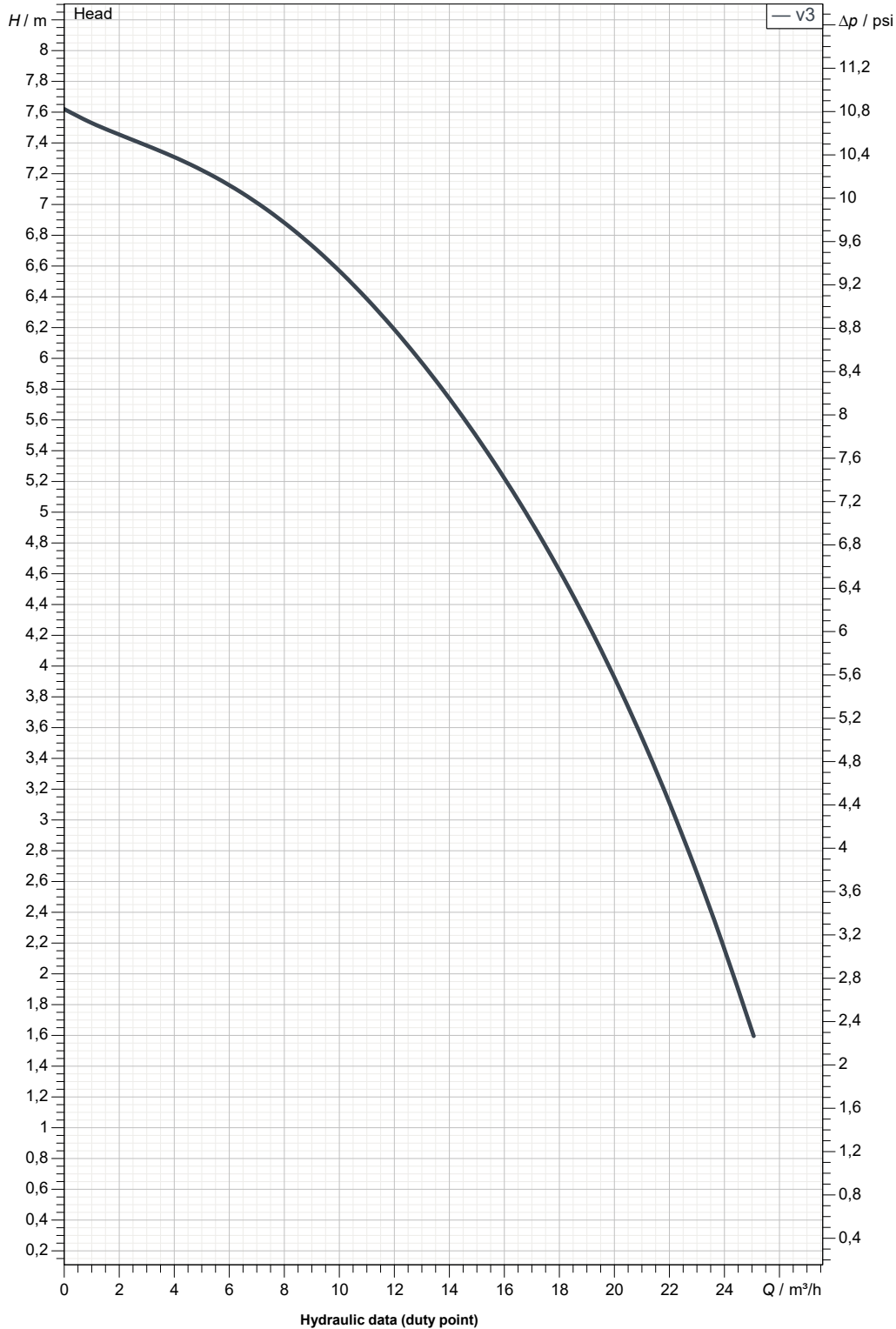
Receiver

From

Society  
Reference  
Address  
Phone  
Fax  
E-mail

## BPH 60/280.50 M

Curve tolerance according to ISO 9906



Suction side :  
DN 50  
PN 10

Discharge side :  
DN 50  
PN 10

Flow :

Head :

Rated speed :  
2.840 1/min

MAIN\_PROJECT\_TITLE

BUSINESS\_PROCESS\_ID

OWNER\_

ISSUE\_DATE  
2021-08-05



# DIMENSIONAL DRAWING

2021-08-05

Page 3 / 3

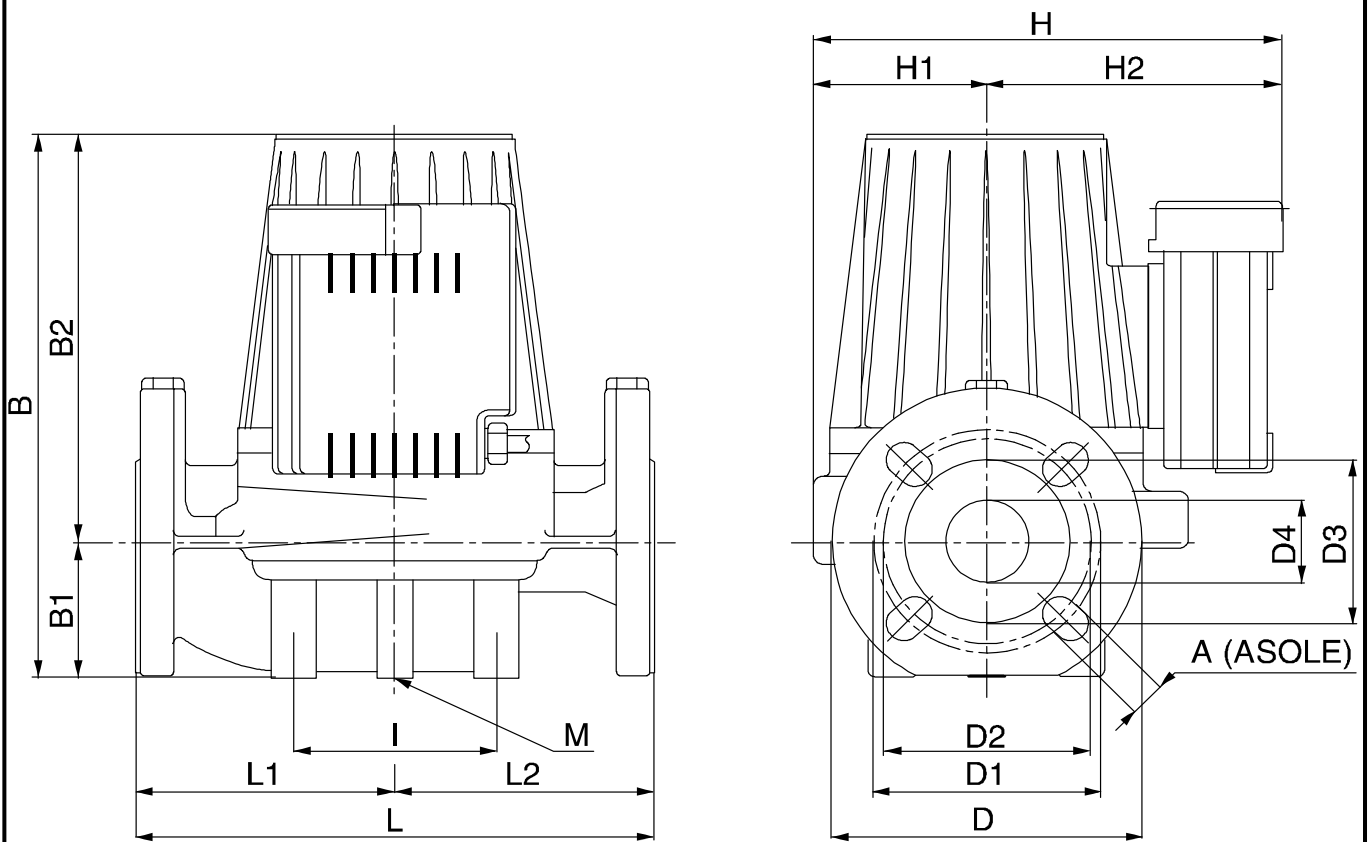
DAB PUMPS S.p.A.  
Via Marco Polo, 14 - 35035 Mestrino (PD), Italy  
Tel. +39 049 5125000 - Fax +39 049 5125950  
www.dabpumps.com

Receiver

From

Society  
Reference  
Address  
Phone  
Fax  
E-mail

## BPH 60/280.50 M



Dimensions in mm					Pump connection	
1	A	18	I	100		
2	B	312	L	280		Suction
3	B1	73	L1	140		DN 50
4	B2	239	L2	140		PN 10
5	D	165	M	M10		
6	D1	125				
7	D2	110				Discharge
8	D3	90				DN 50
9	D4	50				PN 10
10	H	254				
11	H1	96				
12	H2	158				

MAIN_PROJECT_TITLE	BUSINESS_PROCESS_ID	OWNER	ISSUE_DATE <b>2021-08-05</b>
--------------------	---------------------	-------	---------------------------------