

Receiver

From

Society
Reference
Address
Phone
Fax
E-mail

Item n° :

505904002

Model :

BPH 60/250.40 M

Pump data

Pressure rating : PN 10
Min. fluid temperature : -10 °C
Max. fluid temperature : 110 °C

Minimum suction head :

Temperature	°C	75	90	110	120
Minimum suction head :	m	1,6	4	14	--

Requested data

Flow :
Head :
Fluid (%) :
Fluid Temperature : 20 °C
Density : 998,3 kg/m³
Kinematic viscosity : 1,005 mm²/s
Vapor pressure : 2,34 kPa

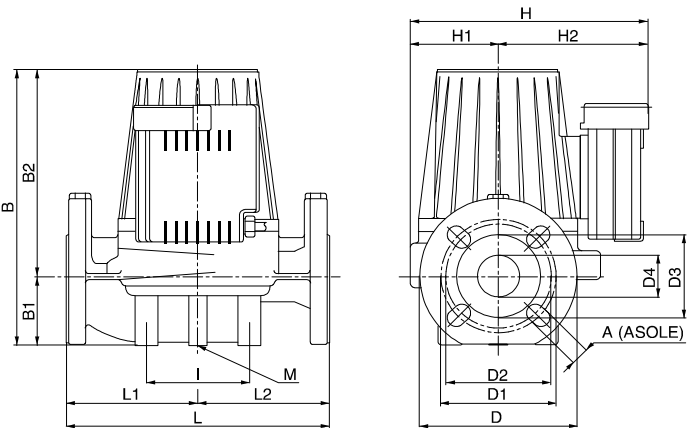
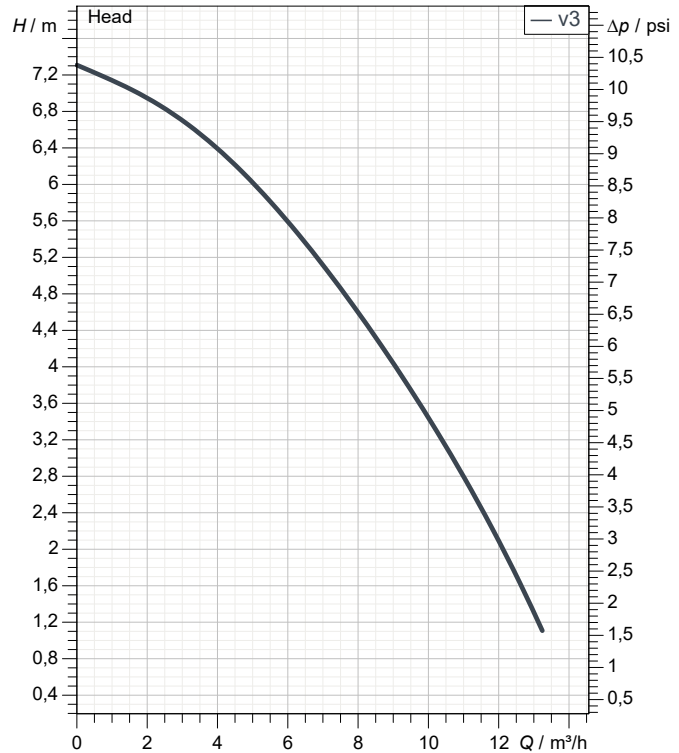
Hydraulic data (duty point)

Flow :
Head :

Materials

Pump body	Cast iron 200 UNI ISO 185
Impeller	Technopolymer B
Motor shaft	AISI 420 C
Air vent plug	Brass P Cu Zn40 Pb2 UNI 5705
Seal ring	Ethylene propylene (EPDM)
Motor casing	Die cast aluminium
Stator jacket	AISI 321Bon. - AISI 304

Curve tolerance according to ISO 9906



Motor data

Motor brand :	DAB
Power input P1 :	0,344 kW
Rated speed :	2.830 1/min
Rated voltage :	1~ 230 V 50 Hz
Nominal current :	1,43 A
Degree of protection :	IP 44

Dimensions in mm

A	18	D	150	D4	40	l	100
B	266	D1	110	H	221	L	250
B1	66	D2	100	H1	83	L1	125
B2	200	D3	80	H2	138	L2	125

Weight : 17,5 kg

Pump connection

Suction side : DN 40 / PN 10
Discharge side : DN 40 / PN 10



PERFORMANCE CURVES

2021-08-05

Page 2 / 3

DAB PUMPS S.p.A.
Via Marco Polo, 14 - 35035 Mestrino (PD), Italy
Tel. +39 049 5125000 - Fax +39 049 5125950
www.dabpumps.com

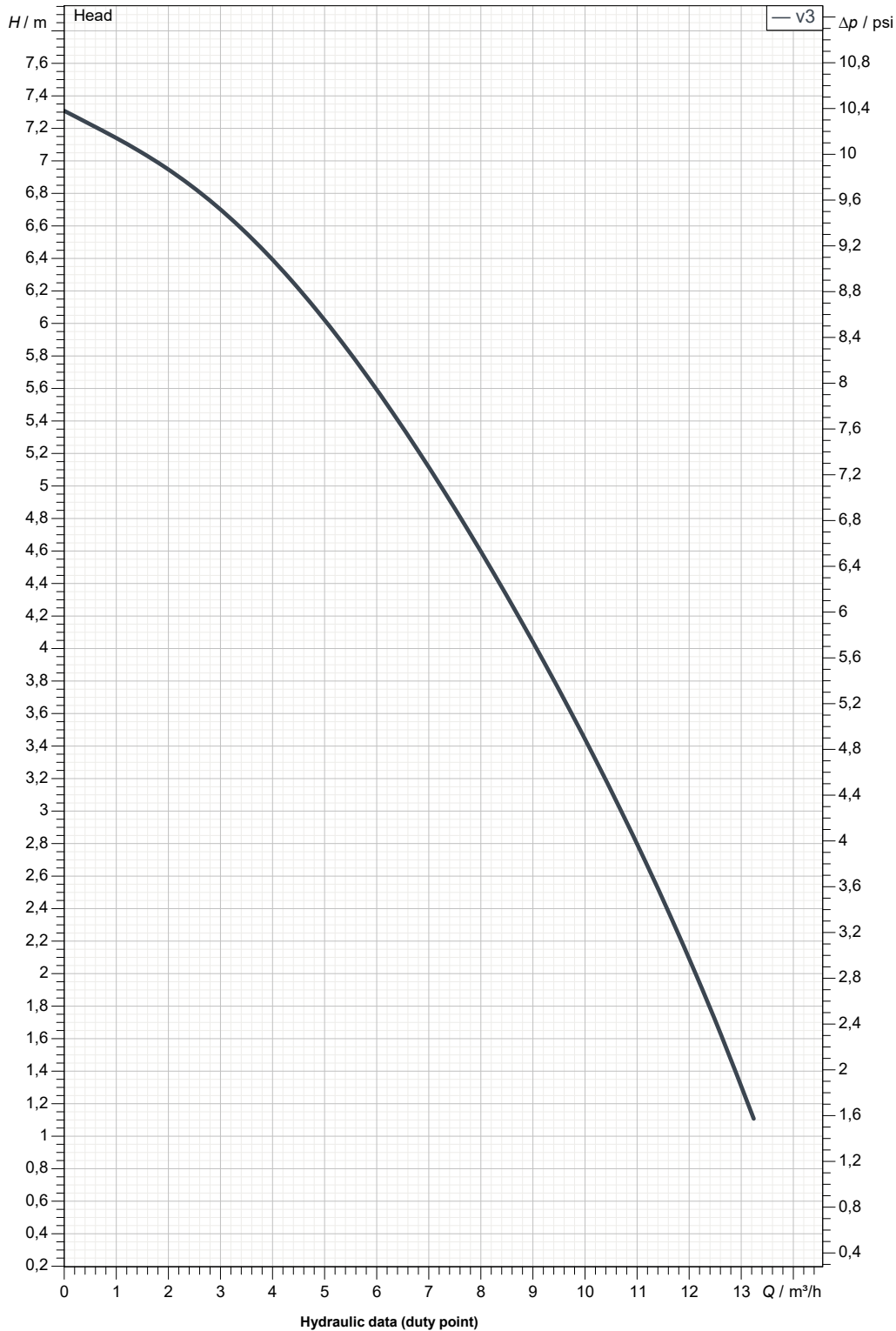
Receiver

From

Society
Reference
Address
Phone
Fax
E-mail

BPH 60/250.40 M

Curve tolerance according to ISO 9906



Suction side :
DN 40
PN 10

Discharge side :
DN 40
PN 10

Flow :

Head :

Rated speed :
2.830 1/min

MAIN_PROJECT_TITLE

BUSINESS_PROCESS_ID

OWNER_

ISSUE_DATE
2021-08-05



DIMENSIONAL DRAWING

2021-08-05

Page 3 / 3

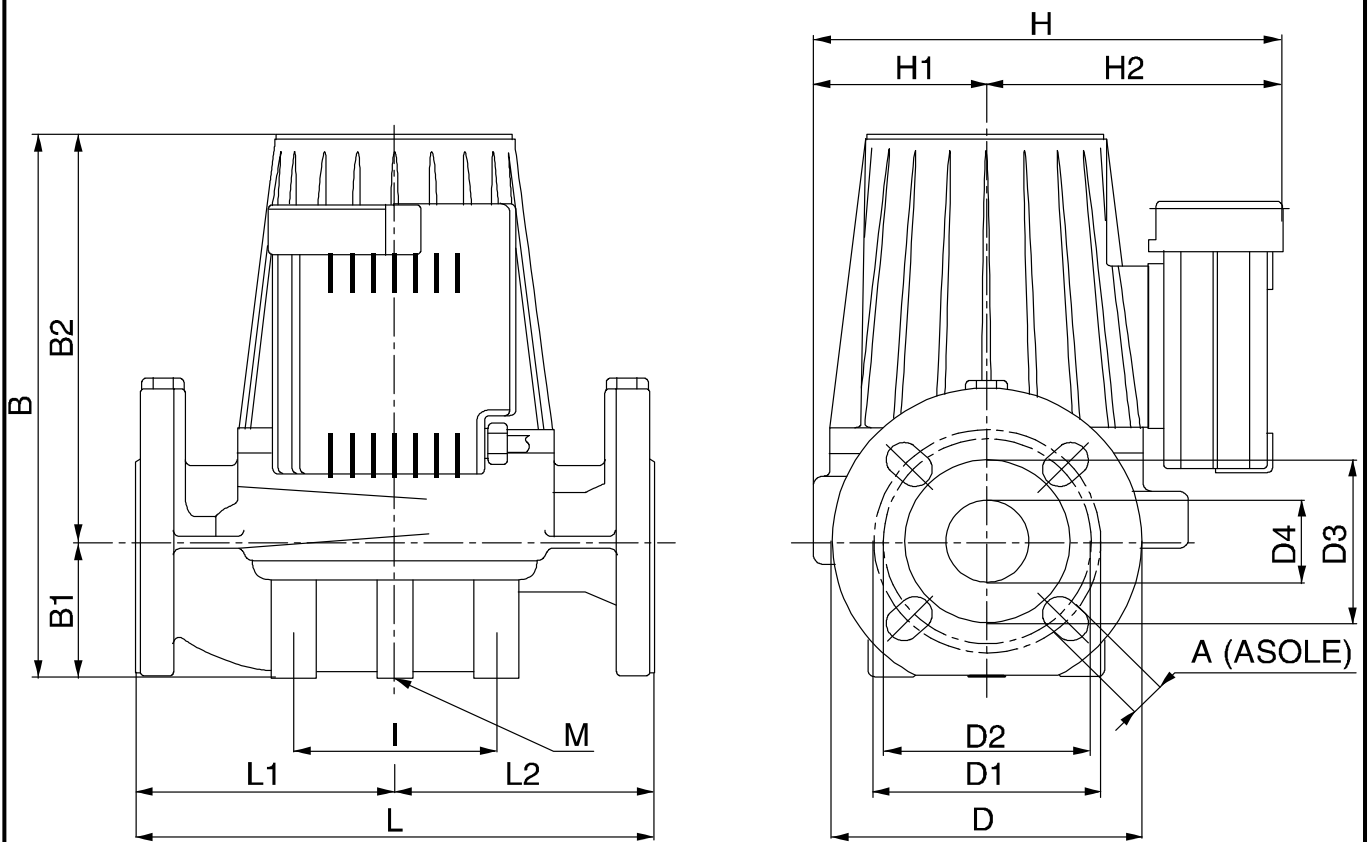
DAB PUMPS S.p.A.
Via Marco Polo, 14 - 35035 Mestrino (PD), Italy
Tel. +39 049 5125000 - Fax +39 049 5125950
www.dabpumps.com

Receiver

From

Society
Reference
Address
Phone
Fax
E-mail

BPH 60/250.40 M



Dimensions in mm					Pump connection
1	A	18	I	100	Suction DN 40 PN 10 Discharge DN 40 PN 10
2	B	266	L	250	
3	B1	66	L1	125	
4	B2	200	L2	125	
5	D	150	M	M10	
6	D1	110			
7	D2	100			
8	D3	80			
9	D4	40			
10	H	221			
11	H1	83			
12	H2	138			

MAIN_PROJECT_TITLE	BUSINESS_PROCESS_ID	OWNER	ISSUE_DATE 2021-08-05
--------------------	---------------------	-------	---------------------------------