

**Receiver**

**From**

Society  
Reference  
Address  
Phone  
Fax  
E-mail

**Item n° :**

505949622

**Model :**

BPH 180/340.65 T

**Pump data**

Pressure rating : PN 10  
Min. fluid temperature : -10 °C  
Max. fluid temperature : 110 °C

**Minimum suction head :**

Temperature	°C	75	90	110	120
Minimum suction head :	m	7	11	18	--

**Requested data**

Flow :  
Head :  
Fluid (%) :  
Fluid Temperature : 20 °C  
Density : 998,3 kg/m³  
Kinematic viscosity : 1,005 mm²/s  
Vapor pressure : 2,34 kPa

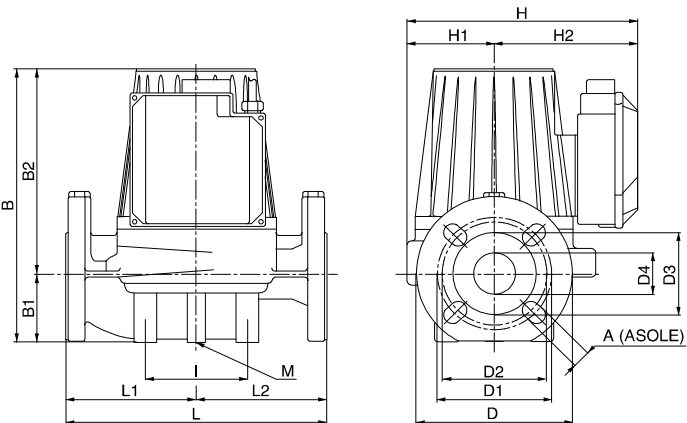
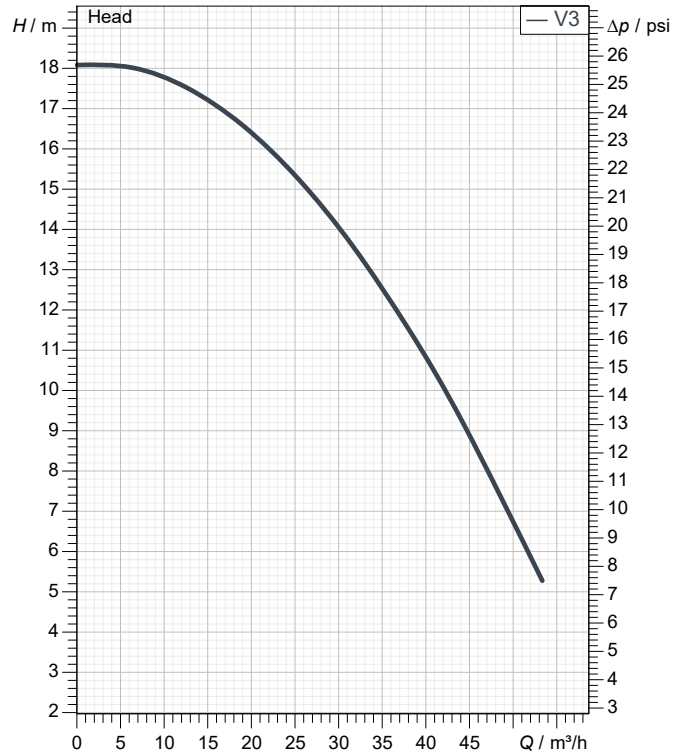
**Hydraulic data (duty point)**

Flow :  
Head :

**Materials**

Pump body	Cast iron 200 UNI ISO 185
Impeller	Technopolymer B
Motor shaft	AISI 420 C
Air vent plug	Brass P Cu Zn40 Pb2 UNI 5705
Seal ring	Ethylene propylene (EPDM)
Motor casing	Die cast aluminium
Stator jacket	AISI 321Bon. - AISI 304

**Curve tolerance according to ISO 9906**



**Motor data**

Motor brand : DAB  
Power input P1 : 2,309 kW  
Rated speed : 2.780 1/min  
Rated voltage : 3~ 400 V 50 Hz  
Nominal current : 4 A  
Degree of protection : IP 44

**Dimensions in mm**

A	18	D	185	D4	65	l	100
B	302	D1	145	H	259	L	340
B1	82	D2	130	H1	100	L1	170
B2	302	D3	110	H2	159	L2	170

**Weight :** 32,5 kg

**Pump connection**

Suction side : DN 65 / PN 10  
Discharge side : DN 65 / PN 10



# PERFORMANCE CURVES

2021-08-06

Page 2 / 3

DAB PUMPS S.p.A.  
Via Marco Polo, 14 - 35035 Mestrino (PD), Italy  
Tel. +39 049 5125000 - Fax +39 049 5125950  
www.dabpumps.com

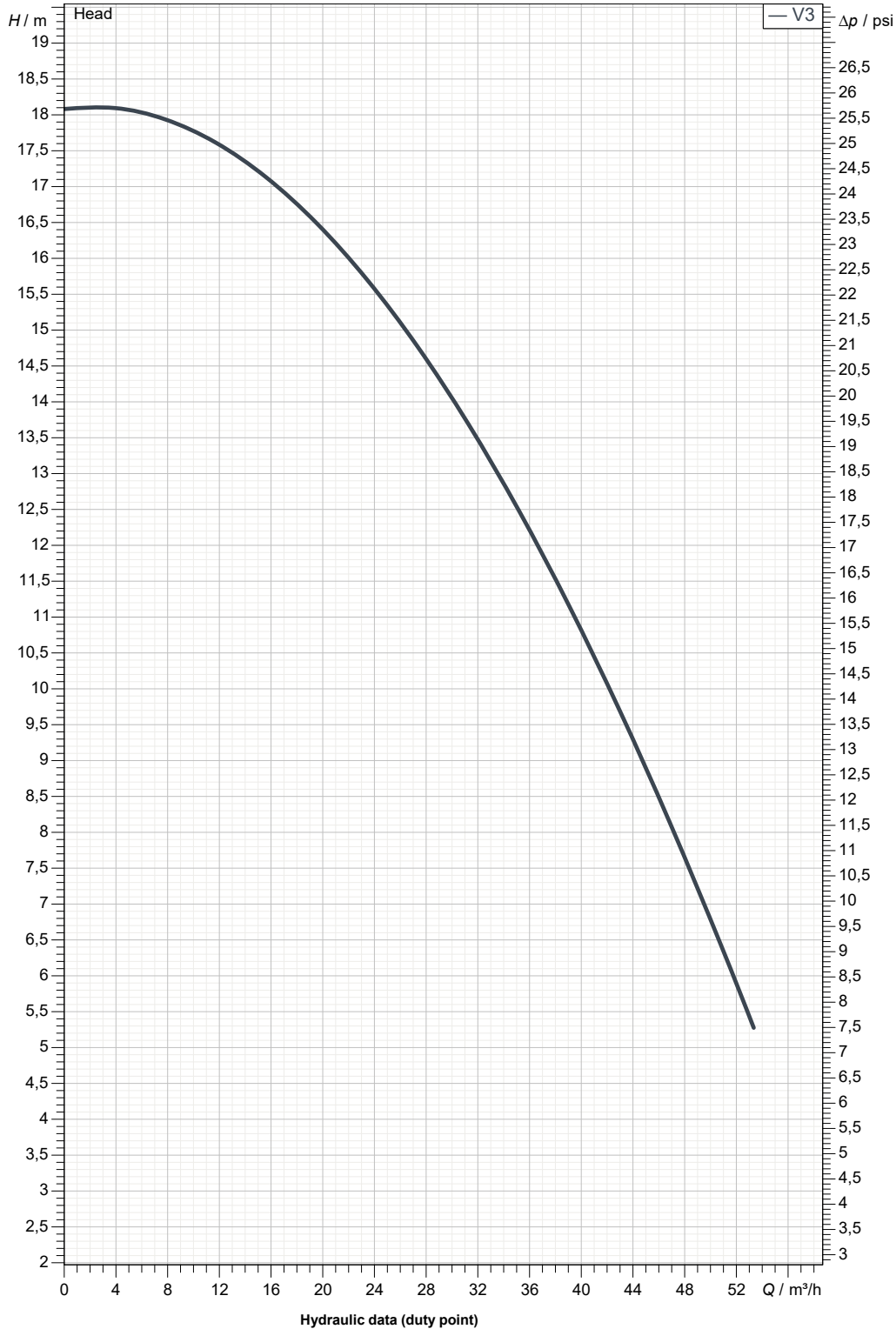
Receiver

From

Society  
Reference  
Address  
Phone  
Fax  
E-mail

## BPH 180/340.65 T

Curve tolerance according to ISO 9906



Suction side :  
DN 65  
PN 10

Discharge side :  
DN 65  
PN 10

Flow :

Head :

Rated speed :  
2.780 1/min

MAIN\_PROJECT\_TITLE

BUSINESS\_PROCESS\_IC

OWNER\_

ISSUE\_DATE  
2021-08-06



# DIMENSIONAL DRAWING

2021-08-06

Page 3 / 3

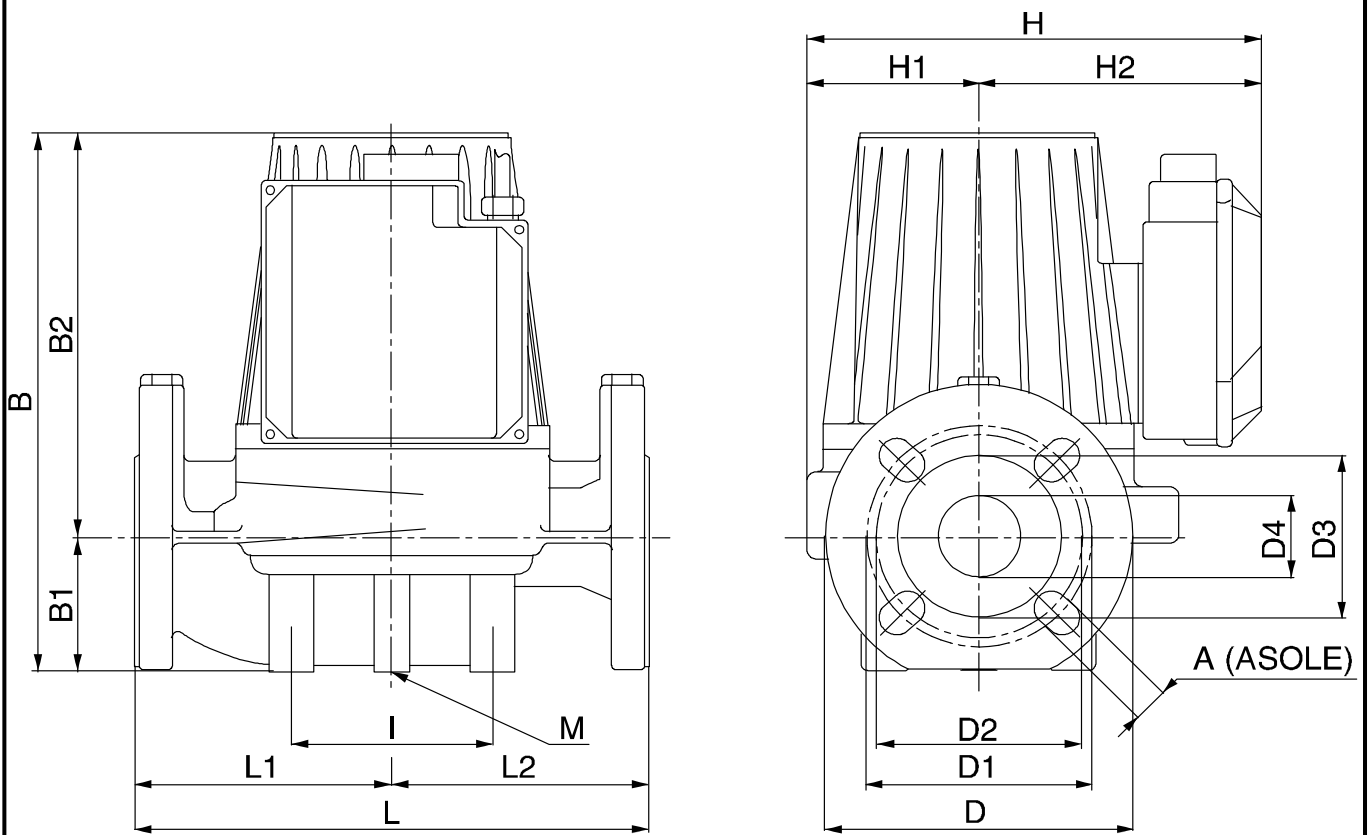
DAB PUMPS S.p.A.  
Via Marco Polo, 14 - 35035 Mestrino (PD), Italy  
Tel. +39 049 5125000 - Fax +39 049 5125950  
www.dabpumps.com

Receiver

From

Society  
Reference  
Address  
Phone  
Fax  
E-mail

## BPH 180/340.65 T



**Dimensions in mm**

**Pump connection**

1	A	18	I	100		
2	B	302	L	340		Suction
3	B1	82	L1	170		DN 65
4	B2	302	L2	170		PN 10
5	D	185	M	M12		
6	D1	145				Discharge
7	D2	130				DN 65
8	D3	110				PN 10
9	D4	65				
10	H	259				
11	H1	100				
12	H2	159				

MAIN\_PROJECT\_TITLE

BUSINESS\_PROCESS\_ID

OWNER

ISSUE\_DATE

2021-08-06