

**Receiver**

**From**

Society  
Reference  
Address  
Phone  
Fax  
E-mail

**Item n° :**

505807001

**Model :**

A 80/180 M

**Pump data**

Pressure rating : 10 bar (1000 KPa)  
Min. fluid temperature : -10 °C  
Max. fluid temperature : 110 °C

**Minimum suction head :**

Temperature °C 90  
Minimum suction head : m 2,5

**Requested data**

Flow :  
Head :  
Fluid (%) :  
Fluid Temperature : 20 °C  
Density : 998,3 kg/m³  
Kinematic viscosity : 1,005 mm²/s  
Vapor pressure : 2,34 kPa

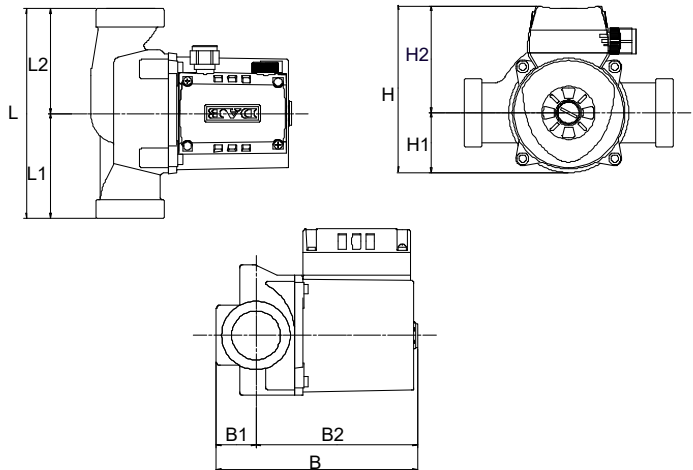
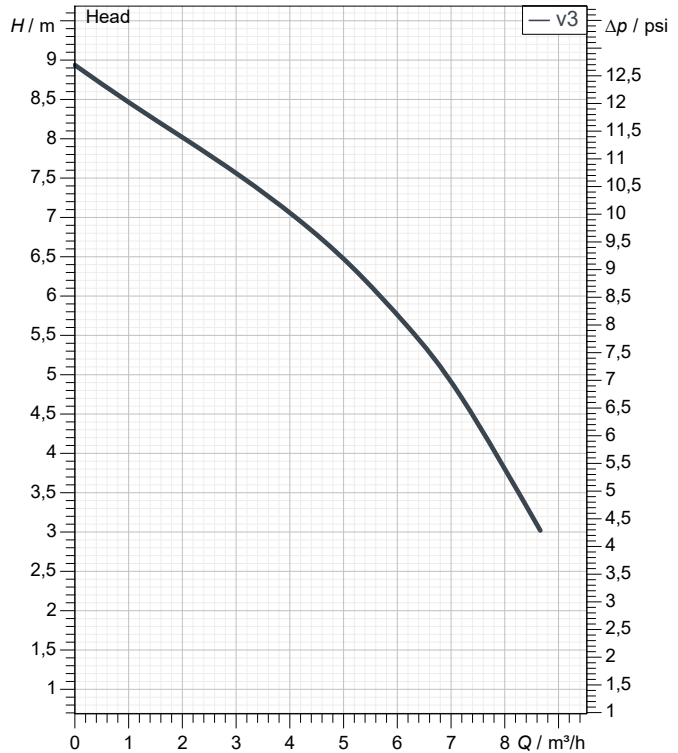
**Hydraulic data (duty point)**

Flow :  
Head :

**Materials**

Pump body Cast iron  
Impeller Technopolymer  
Motor shaft Stainless steel  
Air vent plug Brass  
Seal ring Etylene propylene  
Motor casing Die cast aluminium  
Stator jacket Stainless steel

**Curve tolerance according to ISO 9906**



**Motor data**

Motor brand : DAB  
Power input P1 : 0,262 kW  
Rated speed : 2.674 1/min  
Rated voltage : 1~ 230 V 50 Hz  
Nominal current : 1,15 A  
Degree of protection : IP 44

**Dimensions in mm**

B	173	H	143	L1	90		
B1	34	H1	52	L2	90		
B2	139	H2	92				
F	0	L	180				

**Weight :** 4,8 kg

**Pump connection**

Suction side : 1 " 1/2 / 10 bar (1000 KPa)  
Discharge side : 1 " 1/2 / 10 bar (1000 KPa)



# PERFORMANCE CURVES

2021-08-04

Page 2 / 3

DAB PUMPS S.p.A.  
Via Marco Polo, 14 - 35035 Mestrino (PD), Italy  
Tel. +39 049 5125000 - Fax +39 049 5125950  
www.dabpumps.com

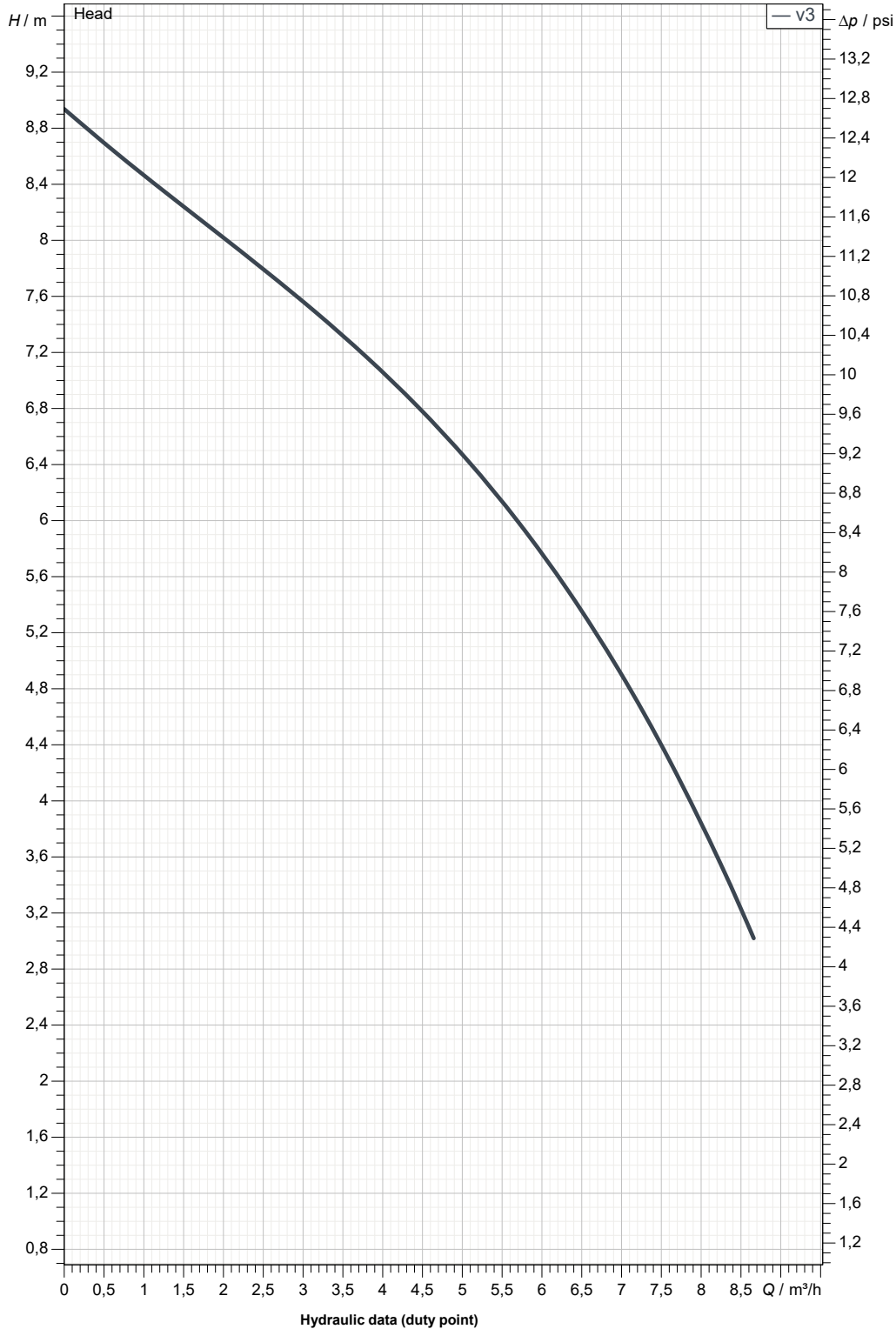
Receiver

From

Society  
Reference  
Address  
Phone  
Fax  
E-mail

## A 80/180 M

Curve tolerance according to ISO 9906



Suction side :  
1" 1/2  
10 bar (1000 KPa)

Discharge side :  
1" 1/2  
10 bar (1000 KPa)

Flow :

Head :

Rated speed :  
2.674 1/min

MAIN\_PROJECT\_TITLE

BUSINESS\_PROCESS\_IC

OWNER\_

ISSUE\_DATE  
2021-08-04



# DIMENSIONAL DRAWING

2021-08-04

Page 3 / 3

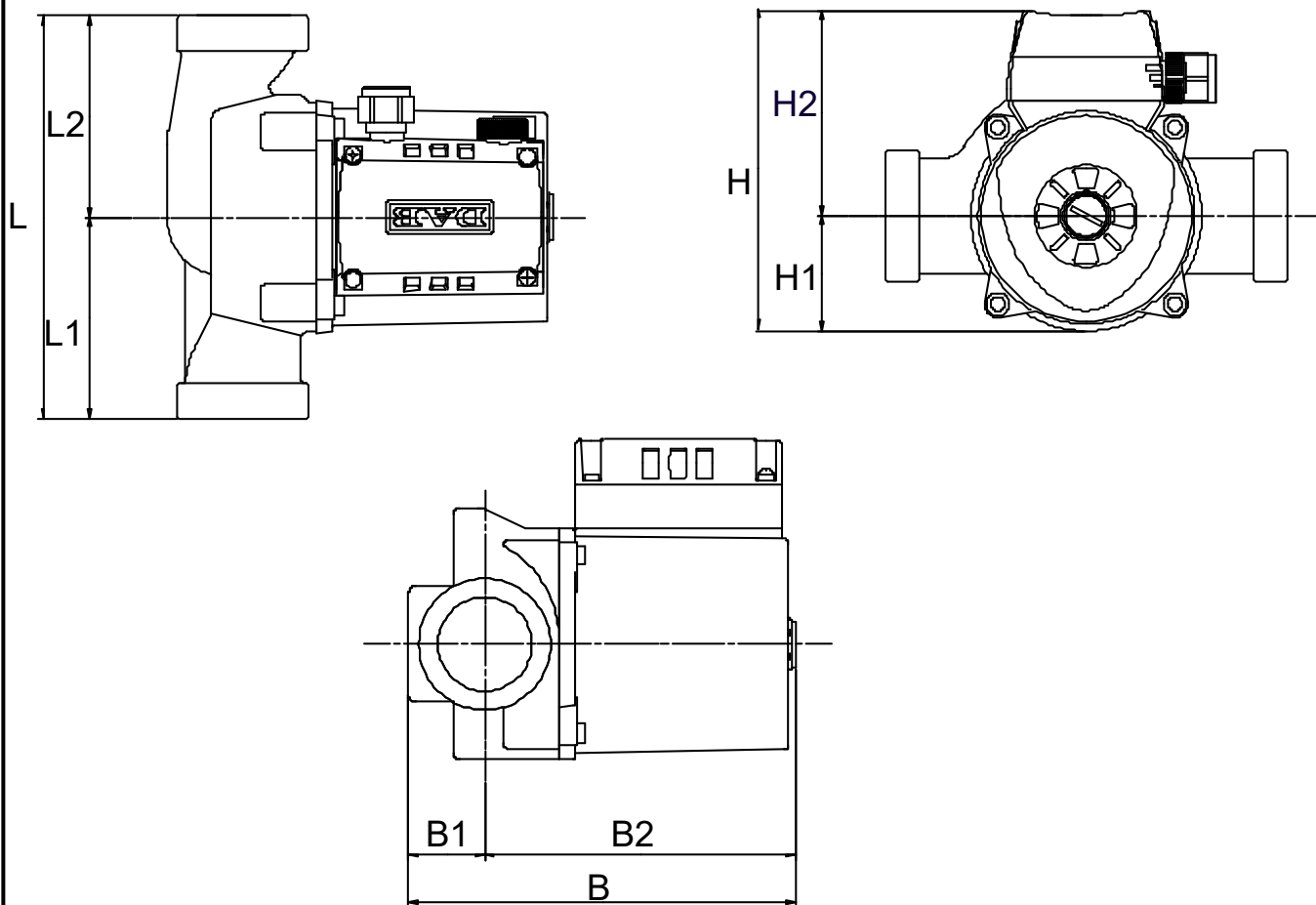
DAB PUMPS S.p.A.  
Via Marco Polo, 14 - 35035 Mestrino (PD), Italy  
Tel. +39 049 5125000 - Fax +39 049 5125950  
www.dabpumps.com

Receiver

From

Society  
Reference  
Address  
Phone  
Fax  
E-mail

## A 80/180 M



### Dimensions in mm

1	B	173
2	B1	34
3	B2	139
4	F	0
5	H	143
6	H1	52
7	H2	92
8	L	180
9	L1	90
10	L2	90
11		
12		

### Pump connection

Suction  
1" 1/2  
10 bar (1000 KPa)

Discharge  
1" 1/2  
10 bar (1000 KPa)

MAIN\_PROJECT\_TITLE

BUSINESS\_PROCESS\_ID

OWNER

ISSUE\_DATE

2021-08-04